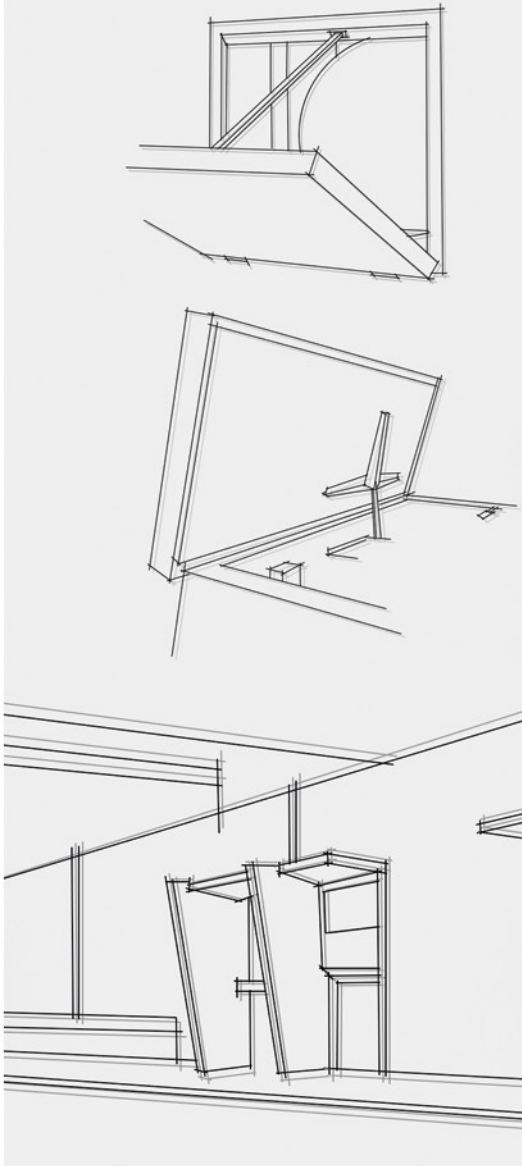


DESIGNED FOR THE FUTURE

VENTILATION SYSTEMS
WITH MOTORISED DAMPERS



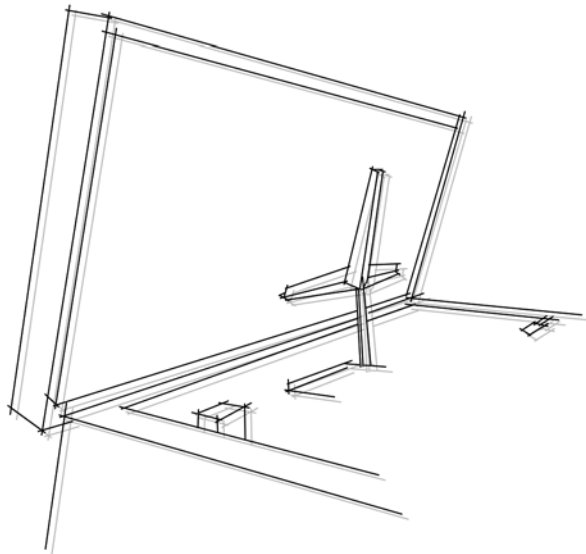
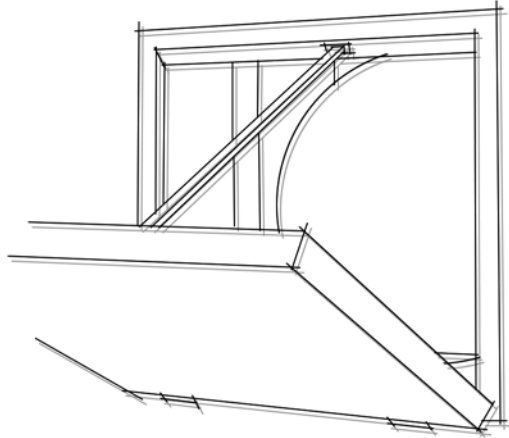


THINGS HAVE CHANGED AND SO HAVE VENTILATION SYSTEMS.

WALL SYSTEM ← **HATCH SOLUTIONS** → ROOF SYSTEM



VENTILATION SYSTEMS WITH MOTORISED DAMPERS



THE HATCH SYSTEM

An efficient solution to prevent heat loss in buildings.

Air extract solutions in buildings or for extracting smoke in the case of fire in accordance with current regulations. They consist of automated systems that use motorised hatches with a design that is completely sealed, using cutting edge technology and with a F-400°C/2h or F-300°C/2h work certificate, depending on the application.

WALL SYSTEM

The WALL system is especially designed to exhaust air or smoke through the buildings walls in the event of fire.



THT/WALL



THT/WALL-F



WALL/DUCT



WALL-FREE



WALL/AXIAL

ROOF SYSTEM

The ROOF system is designed for easy installation on the roofs of buildings or industrial facilities and permits air or smoke exhaust through the roof in the event of a fire.



THT/HATCH



HCT/HATCH



HATCH/HP

The evacuation of both systems is carried out through a motorised, airtight damper. The entire unit is thermally and acoustically insulated with technologically advanced materials. This way, heat loss and noise transfer are minimised when the system is not operating.



HEAT LOSS AND THERMAL INSULATION

One of the main disadvantages of current fans is the constant loss of heat, which results in unnecessary costs due to the use of air conditioning or heating systems.

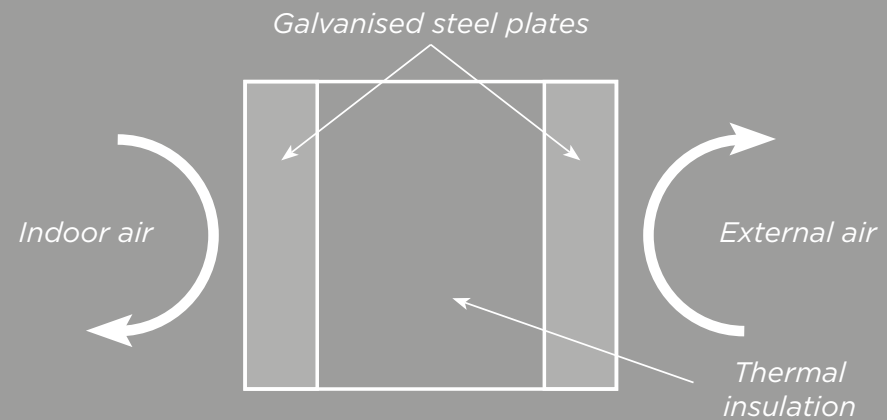
In the new HATCH systems, this disadvantage is corrected since the assembly is completely sealed and insulated using special materials designed for this purpose. This way, heat loss from the building is prevented.



THERMAL TRANSMITTANCE

THT/HATCH and HCT/HATCH

The lid of these THT/HATCH and HCT/HATCH extract systems is layered to a thickness of 100mm and the sides to 60mm. Heat transmission by both conduction and convection have been considered in the thermal calculations.



The thermal transmittance value of THT/HATCH and HCT/HATCH systems is:

$$U = 0.47 \text{ W/m}^2 \cdot \text{K}$$

THERMAL TRANSMITTANCE

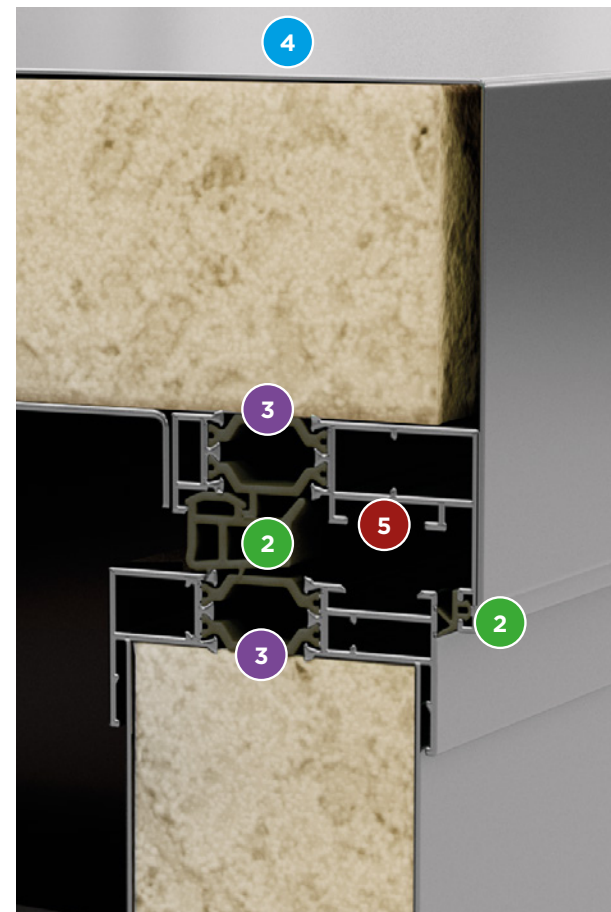
HATCH/HP

The use of materials with low thermal conductivity minimises thermal transfer through the envelope, resulting in a decrease in the thermal transmission rate (U-value) and in greater energy efficiency.

The new HATCH/HP has an extraordinarily low thermal transmittance coefficient.

$$U= 0.39 \text{ W/m}^2 \cdot \text{K}$$

To provide excellent thermal performance and prevent potential interior condensation, all metal components that connect the exterior with the interior of the equipment have thermal bridge breaks.



- 1 Pre-painted steel sandwich panel with a 60 mm thick polyurethane core.
- 2 Sealing gasket.
- 3 Thermal bridge break.
- 4 Angled cover.
- 5 Aluminium profile.



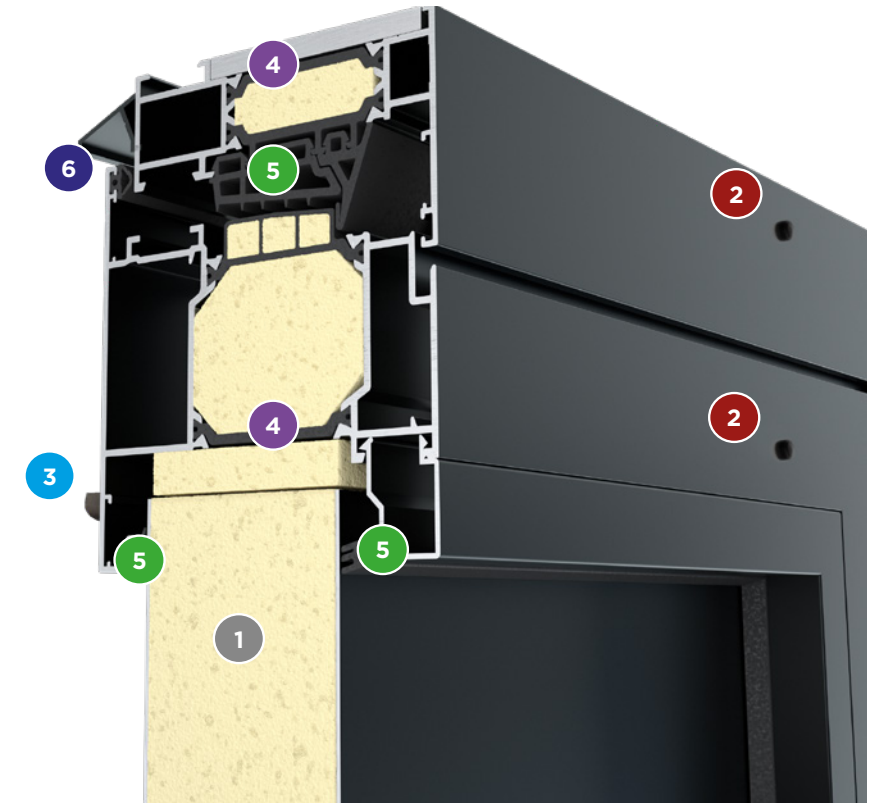


WALL

The hatch of these units is comprised of 80-mm thick extruded aluminium profiles with a thermal bridge break and a sandwich type central panel with high thermal insulation properties.

The thermal transmittance value of the WALL systems

WALL FLAP 40 - 45	0,9 W/m ² ·K
WALL FLAP 50 - 56	0,8 W/m ² ·K
WALL FLAP 63 - 71 - 80	0,7 W/m ² ·K
WALL FLAP 90 - 100	0,7 W/m ² ·K
WALL FLAP 125	0,6 W/m ² ·K



- 1** Aluminium sandwich panel with high-density expanding polyurethane foam

3 Condensation drainage

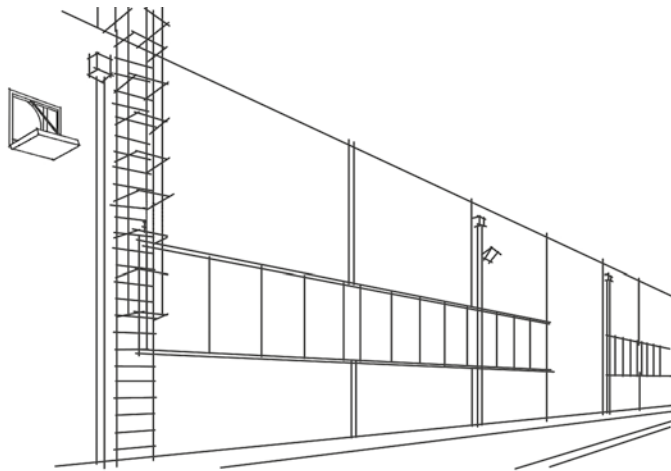
5 Water-tightness seals
- 2** Anti-detachment fixing screws in the event of fire

4 Thermal bridge break

6 Gutter to prevent water from filtering inside the unit

WALL SYSTEM FOR INDUSTRIAL APPLICATIONS ON WALLS

The WALL system can be used in industrial facilities as it is easy to install on walls and can be integrated into the building design. The WALL system can be used for fire protection and smoke extract in the event of a fire, using series with F-400 or F-300 certificates or using the system without a temperature certification for extracting exhaust or contaminated air. The WALL systems can also be used to supply air, if necessary. The advantage of being able to automatically close the hatch when the system is not in use brings very important energy savings. Additionally, it keeps the ventilation opening completely closed from the outside.







ROOF SYSTEM FOR INDUSTRIAL APPLICATIONS

Roof extract fans in industrial buildings are used for extracting heat and contaminants and are the most common types used for industrial building. Many roof extract fans with no aesthetic requirements result in buildings having various different appearances. These roof-mounted extract fans usually permit a high amount of heat loss when they not in use; as heat rises to the top of the building, the heat loss through the extract fans is very high.

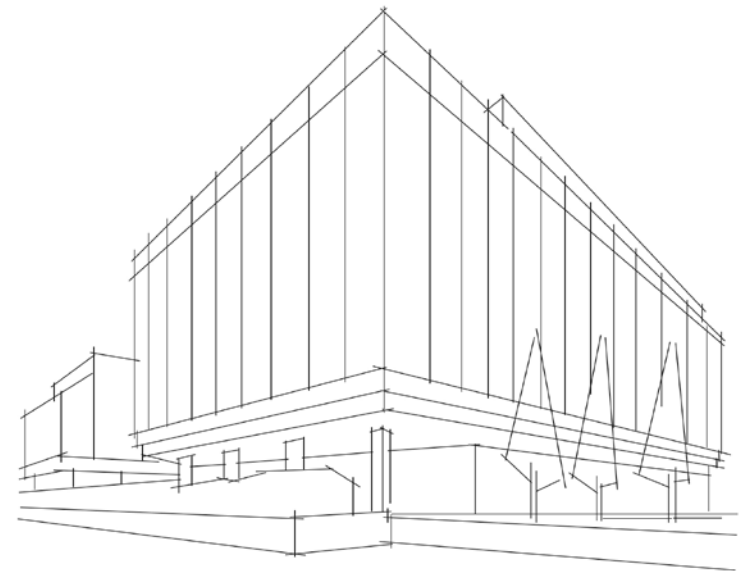
With the HATCH roof systems, heat loss and noise transfer are minimised, and the design of the warehouse roofs can be standardised. We can use F-400 or F-300 certified systems for fire protection, ensuring rapid smoke evacuation, or standard temperature versions for extraction of stale air or contaminants. Their airtight design prevents the entry of water or snow, even in extreme conditions.

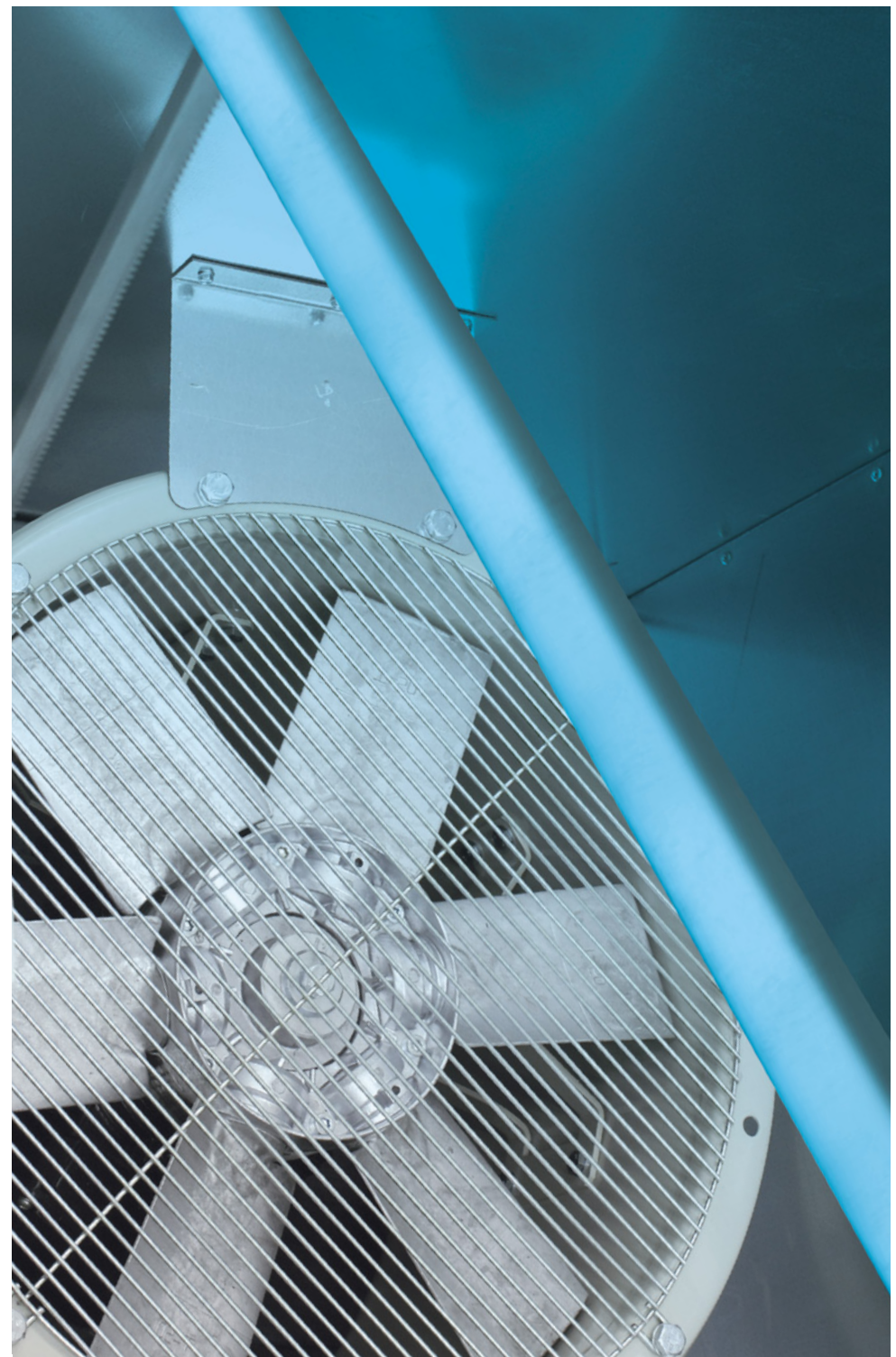


WALL SYSTEM FOR COMMERCIAL BUILDINGS APPLICATIONS ON WALLS

If a fire happens in large buildings, especially those with high ceilings, it is very important to get the smoke extract design right for the safety of the personnel in that building. WALL hatch systems facilitate this because they can be installed at any point on the external walls and are perfectly incorporated into the aesthetic appearance of the building.

Using these products for this application avoids the need to install large amounts of ductwork or chimneys through the roof.





ROOF SYSTEM FOR COMMERCIAL BUILDINGS APPLICATIONS ON ROOFS

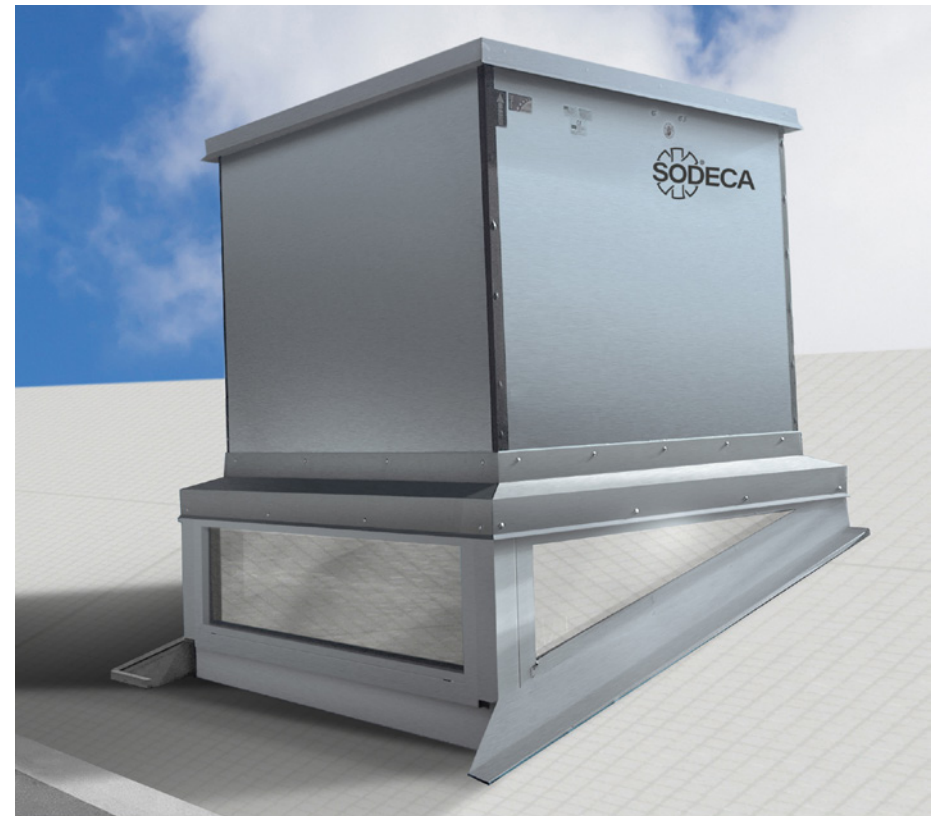
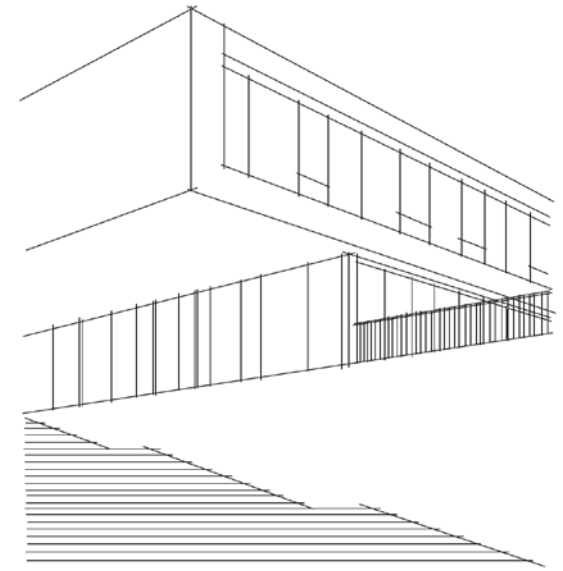
The demand to ensure that buildings are as sustainable as possible means that products installed in those buildings must be energy saving and efficient.

The use of roof HATCH systems that are completely water-tight and with a very efficient thermal insulation results in an almost negligible loss of heat by transmission when the extract system is not being used.

The use of HATCH roof systems, which are completely airtight and have significant thermal and acoustic insulation, ensures that heat losses due to heat transmission are negligible when the extract system is not in use.

Using roof-mounted, motorised hatch systems with F-400 or F-300 certification for fire protection is one of the easiest ways to comply with the smoke exhaust regulation in buildings as well as local energy efficiency rules.





CERTIFICATIONS

All WALL and HATCH systems have been subjected to different robustness tests under strenuous, snow load and wind load conditions as well as fire resistance certification tests in accordance with standard EN-12101-3. All these tests are conducted by accredited laboratories.

Certifications in accordance with EN-12101-3	CLASSIFICATION	OPEN TIME	WIND LOAD (WL)	SNOW LOAD (SL)
THT/HATCH	F400/2h F300/2h	<30 sec	200 Pa + 3 cycles	SL-1000
THT/WALL and THT/WALL-F	F400/2h F300/2h	<30 sec	200 Pa + 3 cycles	not applicable
HATCH/HP	F400/2h F300/2h	<30 sec	200 Pa + 3 cycles	SL-1000

Tests based on EN-12101-2	TEMPERATURE	RELIABILITY
THT/HATCH	-25°	RE-11000
THT/WALL and THT/WALL-F	-25°	RE-11000
HATCH/HP	-25°	RE-11000

Tests based on EN-12207	AIR TIGHT	Tests based on EN-12208	RAINPROOF
HATCH/HP	Class 4	HATCH/HP	Class E 1350

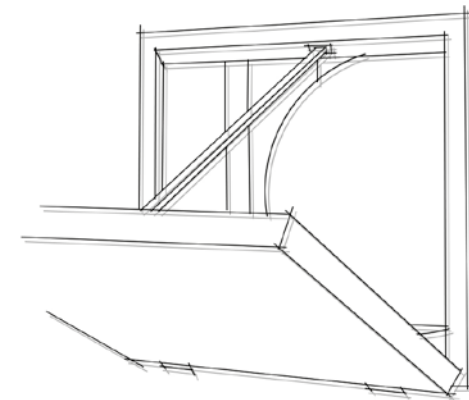
Tests based on EN-10140-2	GLOBAL SOUND REDUCTION INDEX
HATCH/HP	Rw 32 (-2;-4) dB
WALL SERIES	Rw 27 (0;-2) dB



MOTORISED OPENING

The air outlet hatch is opened by extremely robust motorised actuators. These actuators guarantee proper operation in the most adverse conditions, even under simultaneous snow and wind overload conditions to satisfy the strictest regulations on the market.

This system has been tested and certified by laboratories specialising in these types of tests.





EASY INSTALLATION

Can be installed on any type of roof regardless of its inclination.

The fan inlet may be free, suctioning directly from the premise or it can be directly connected to an extract duct using the flange that is installed at the base of the extract fan.

ARCHITECTURAL INTEGRATION OF HATCH SYSTEMS

The appearance of industrial or commercial buildings and their integration in the environment is undoubtedly one of the most important concerns of designers.

HATCH systems can be customised to ensure that the smoke exhaust equipment can easily be integrated into the appearance of the building.

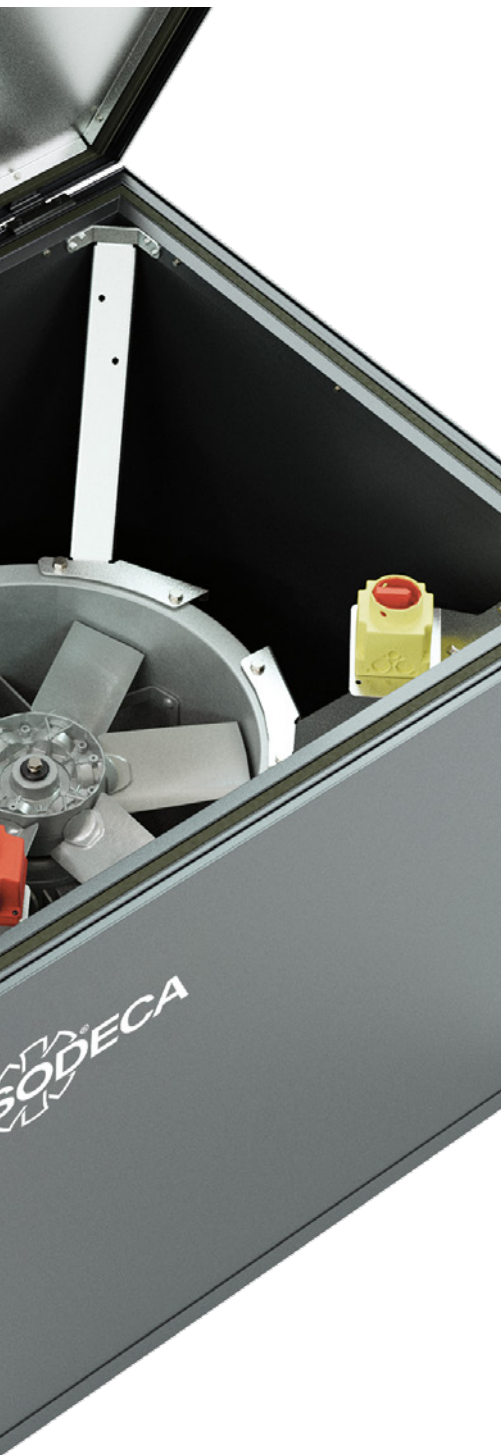
HATCH systems are customised by matching the RAL colour of the building exterior using anti-corrosive polyester resin paint or matching vinyl.



CUSTOMISATION

The finish of hatch systems such as the THT/WALL can be customised to match the building facade.

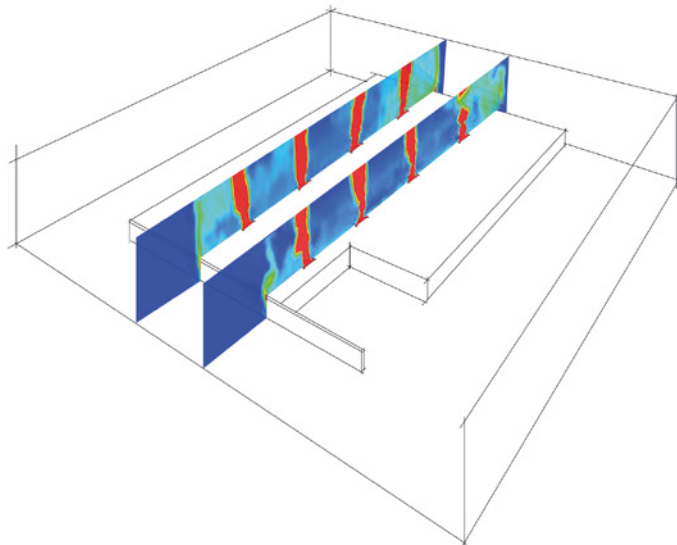
As a result, the unit will be completely integrated into the building appearance, especially when the hatch is closed.



ENERGY EFFICIENCY STUDY

EXAMPLE OF THE STUDY

AREA	3,170 m ²
HEIGHT	8 m
VOLUME	25,360 m ³
INDOOR TEMPERATURE	22°C
OUTDOOR TEMPERATURE	-5.6°C
HEATING	Unit heaters
NO. OF FANS	8 on the roof and 12 on the façade

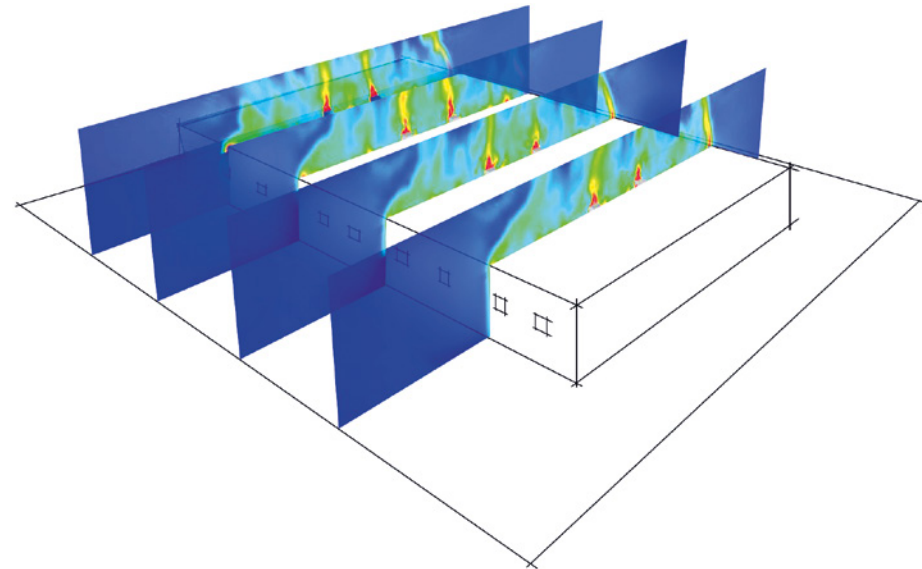


Energy efficiency tested

To calculate the heat loss for different extract systems, common losses are not taken into account. So such things as losses from walls, roofs and other air inlet/outlet sources are eliminated because these will be the same for different extract systems.

The following continuous operating temperatures are used for all systems:

- Indoor temperature: 22°C
- Outdoor temperature: -5.6°C
- Differential: 27.6°C



Extract systems with automated HATCH

As a calculation example, 8 Roof mounted extract fans shall be used of the THT/HATCH type, size 100, together with 12 Wall system extract fans of the THT/WALL type, size 90, installed on the façade. Taking into account the area, the thermal transmittance and the temperature differential, the total heat loss will be:

$$Q_{\text{total}} = 1.3 \text{ kW}\cdot\text{h}$$

Conventional extract fan system with free air outlet

As a calculation example, 8 roof-mounted axial extract fans, size 100, installed on the roof together with 12 wall-mounted axial extract fans, size 90, installed on the façade are used. Taking into account natural air movement from the interior to the exterior, the thermal transmittance and the temperature differential, the total heat loss will be:

$$Q_{\text{total}} = 251 \text{ kW}\cdot\text{h}$$

**The difference in heat loss between the two systems will be
249.7 kW·h**



ENERGY SAVINGS

Difference in heat loss between the two systems

The difference in heat loss in favour of the HATCH system equates to a difference in consumption in kW·h. In the study that was carried out, the energy savings per hour of the new system will be 249.7 kW·h.

Consumed energy costs comparative

Considering an average price of €0.1/kW·h, the heat loss savings equating to 249.7 kW·h; in one day under the specified temperature conditions, the cost savings would be €600/day; in one week we could save €4,200/week or €18,000/month.

Amortisation of the new equipment

The cost savings achieved at a time when energy efficiency is so important justifies investing in these new ventilation systems; additionally, the cost of these systems can be recouped in a very short time.

THT/WALL



Dynamic wall mounted extractor fans with motorised opening system for connection to extract duct. Specially designed for the fast, effective exhaust of harmful smoke and gases in the event of fires, 400 °C/2h and 300 °C/2h

Dynamic wall-mount extractor fans with motorised opening system for connection to extract duct. Specially designed for the fast, effective exhaust of harmful smoke and gases in the event of fire. Suitable for installation in industrial buildings, stores or in any other type of building. Approved as a whole in accordance with standard EN 12101-3, with F400 and F300 certificate. Can be used for ambient ventilation.

Fan:

- Helicoidal casing support and fixing flange to allow easy wall anchorage and installation.
- With F400 certificate number 0370-CPR-2823 and F300 certificate number 0370-CPR-3249.
- Tubular casing in sheet steel with polyester resin anti-corrosive treatment.
- Variable angle impeller made of cast aluminium.
- Shielded power cable with EMC protection.
- Airflow direction from motor to impeller.

Extruded aluminum hatch:

- An extremely robust structure that is able to withstand severe weather changes.
- Designed to ensure watertightness.
- Aluminum profile with thermal bridge break.
- Central ceiling and structure equipped with high performance thermal insulation.

- Thermal resistance of the assembly less than 0.89 W/m²·K.
- Limit switches in both positions (open and closed).
- Manual opening system.

Motor:

- Class H motors for S1 continuous operation and S2 emergency use. With ball bearings, IP55 protection and 1 or 2 speeds, depending on model.
- IE3 efficiency motors.
- Three-phase 230/400 V 50 Hz (up to 3 kW) and 400/690 V 50 Hz (powers greater than 3 kW).
- Maximum temperature of air to be carried: S1 -25 °C +40 °C continuous service, also suitable for warm climates with temperatures up to 50 °C. S2 operation, 300 °C/2h, 400 °C/2h.

Actuator:

- Reliability greater than 11,000 dual cycles.
- Supply voltage at 230 V AC 50/60 Hz.
- Working temperature: -25 °C +60 °C.

Flap finish:

- Anti-corrosive in extruded aluminum.
- RAL 7016 supplied as standard. Any other RAL can be supplied on demand.

Model	Speed (r/min)	Maximum admissible current (A)			Installed power (kW)	Blade tilt angle (°)	Maximum flow rate (m³/h)	Sound pressure level ¹ dB (A)		Approx. weight (Kg)
		230V	400V	690V				Inlet	Exhaust	
THT/WALL-40-2T-1 IE3	2850	2.76	1.59		0.75	16	6100	62	62	62
THT/WALL-40-2T-1.5 IE3	2880	3.93	2.26		1.10	20	7040	61	61	63
THT/WALL-45-2T-2 IE3	2880	4.91	2.84		1.50	16	9400	61	61	67
THT/WALL-45-2T-3 IE3	2840	7.14	4.13		2.20	22	11325	61	61	68
THT/WALL-50-2T-4 IE3	2880	9.61	5.52		3.00	16	13860	66	66	84
THT/WALL-50-2T-5.5 IE3	2870		7.20	4.17	4.00	20	15900	66	66	100
THT/WALL-56-2T-5.5 IE3	2870		7.20	4.17	4.00	16	18820	68	68	105
THT/WALL-56-2T-7.5 IE3	2910		10.10	5.80	5.50	22	22510	68	68	107
THT/WALL-56-4T-2 IE3	1440	5.89	3.38		1.50	36	15020	54	54	84
THT/WALL-63-4T-3 IE3	1425	7.86	4.52		2.20	32	22170	58	58	131
THT/WALL-63-4T-4 IE3	1430	11.01	6.33		3.00	38	24240	59	59	132
THT/WALL-63-6T-1 IE3	940	3.36	1.93		0.75	38	15890	48	48	121
THT/WALL-71-4T-3 IE3	1425	7.86	4.52		2.20	22	25100	60	60	124
THT/WALL-71-4T-4 IE3	1430	11.01	6.33		3.00	28	27480	60	60	133
THT/WALL-71-4T-5.5 IE3	1440		7.95	4.61	4.00	38	32250	61	61	143
THT/WALL-71-6T-1.5 IE3	945	4.73	2.72		1.10	34	19930	51	51	123
THT/WALL-80-4T-3 IE3	1425	7.86	4.52		2.20	12	25460	65	65	138
THT/WALL-80-4T-4 IE3	1430	11.01	6.33		3.00	16	30270	64	64	147
THT/WALL-80-4T-5.5 IE3	1440		7.95	4.61	4.00	18	32770	63	63	153
THT/WALL-80-4T-7.5 IE3	1460		10.40	6.04	5.50	26	39640	63	63	154
THT/WALL-80-6T-1.5 IE3	945	4.73	2.72		1.10	18	21470	53	53	137
THT/WALL-80-6T-2 IE3	945	6.25	3.62		1.50	26	25970	54	54	146
THT/WALL-90-4T-7.5 IE3	1460		10.40	6.04	5.50	18	46140	67	67	222
THT/WALL-90-4T-10 IE3	1460		14.20	8.17	7.50	22	50140	66	66	233
THT/WALL-90-4T-15 IE3	1460		20.70	11.99	11.00	30	59390	68	68	242
THT/WALL-90-6T-3 IE3	950	9.78	5.62		2.20	24	34000	56	56	195
THT/WALL-90-6T-4 IE3	970	12.80	6.36		3.00	30	38910	59	59	221
THT/WALL-100-4T-10 IE3	1460		14.20	8.17	7.50	16	57420	69	69	239

Model	Speed (r/min)	Maximum admissible current (A)			Installed power (kW)	Blade tilt angle (°)	Maximum flow rate (m³/h)	Sound pressure level ¹ dB (A)		Approx. weight (Kg)
		230V	400V	690V				Inlet	Exhaust	
THT/WALL-100-4T-15 IE3	1460		20.70	11.99	11.00	22	66300	69	69	292
THT/WALL-100-4T-20 IE3	1460		27.80	16.03	15.00	28	76160	70	70	307
THT/WALL-100-6T-5.5 IE3	970		8.37	4.82	4.00	26	47780	60	60	239
THT/WALL-100-6T-7.5 IE3	970		12.30	7.07	5.50	32	53520	62	62	276
THT/WALL-125-4T/6-20 IE3	1460		27.80	16.03	15.00	10	78600	77	77	462
THT/WALL-125-4T/6-25 IE3	1465		35.40	20.39	18.50	14	92550	76	76	530
THT/WALL-125-4T/6-30 IE3	1470		42.20	24.44	22.00	16	98830	75	75	544
THT/WALL-125-4T/6-40 IE3	1475		53.30	31.02	30.00	22	117450	75	75	625
THT/WALL-125-4T/6-50 IE3	1480		66.40	38.26	37.00	26	131050	75	75	673
THT/WALL-125-4T/9-25 IE3	1465		35.40	20.39	18.50	10	79650	77	77	539
THT/WALL-125-4T/9-30 IE3	1470		42.20	24.44	22.00	12	88290	76	76	553
THT/WALL-125-4T/9-40 IE3	1475		53.30	31.02	30.00	16	104040	75	75	634
THT/WALL-125-4T/9-50 IE3	1480		66.40	38.26	37.00	20	118400	75	75	682
THT/WALL-125-4T/12-30 IE3	1475		42.20	24.44	22.00	10	62900	78	78	569
THT/WALL-125-4T/12-40 IE3	1470		53.30	31.02	30.00	14	79180	77	77	650
THT/WALL-125-4T/12-50 IE3	1480		66.40	38.26	37.00	18	95715	76	76	693
THT/WALL-125-6T/6-5.5 IE3	970		8.37	4.82	4.00	10	51500	67	67	395
THT/WALL-125-6T/6-7.5 IE3	970		12.30	7.07	5.50	14	60640	65	65	402
THT/WALL-125-6T/6-10 IE3	960		15.20	8.83	7.50	20	72650	64	64	427
THT/WALL-125-6T/6-15 IE3	955		22.50	13.07	11.00	26	85850	64	64	457
THT/WALL-125-6T/6-20 IE3	950		29.00	16.78	15.00	30	92850	66	66	530
THT/WALL-125-6T/9-10 IE3	960		15.20	8.83	7.50	14	63490	67	67	436
THT/WALL-125-6T/9-15 IE3	955		22.50	13.07	11.00	20	77550	65	65	466
THT/WALL-125-6T/9-20 IE3	950		29.00	16.78	15.00	26	92950	65	65	539
THT/WALL-125-6T/9-25 IE3	975		36.10	20.77	18.50	32	96500	67	67	569
THT/WALL-125-6T/12-25 IE3	975		36.10	20.77	18.50	28	91680	67	67	579
THT/WALL-125-6T/12-30 IE3	975		42.30	24.35	22.00	32	102050	68	68	621
THT/WALL-125-6T/12-40 IE3	980		55.80	32.13	30.00	38	115950	72	72	739

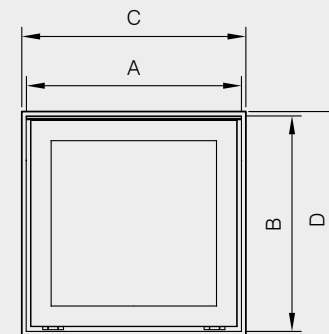
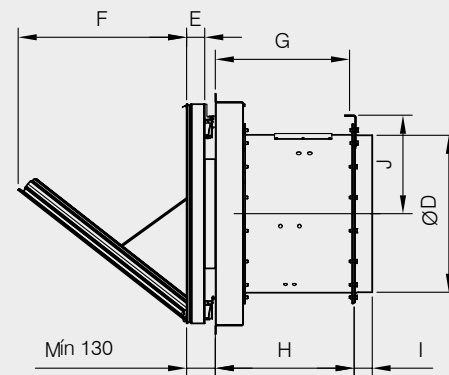
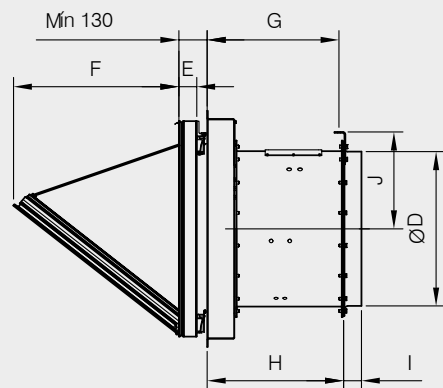
¹The noise level values are pressures in dB(A) measured at a distance of 10 metres in a free field.



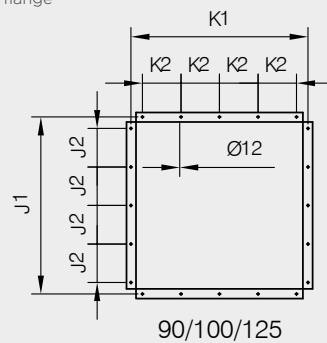
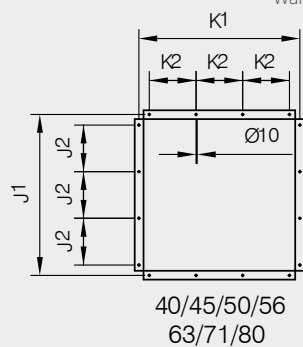
THT/WALL

THT/WALL-40...100

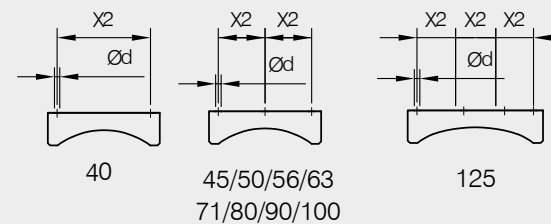
THT/WALL-125



Wall-mounting flange



Helical ring support stand



Model	A	B	C	D	ØD*	I	J	H	G	E	F	J1	J2	K1	K2	X2	ød
THT/WALL-40	640	590	650	600	400	80	255	530	510	82	430	700	200	700	200	200	10
THT/WALL-45	640	590	650	600	450	80	280	530	510	82	430	700	200	700	200	200	12
THT/WALL-50	690	690	700	700	500	80	305	530	510	82	560	790	220	790	220	200	12
THT/WALL-56	690	690	700	700	560	80	340	530	510	82	560	790	220	790	220	215	13
THT/WALL-56-2T-7.5	690	690	700	700	560	80	340	630	610	82	560	790	220	790	220	215	13
THT/WALL-63	990	990	1000	1000	630	80	385	630	605	82	760	1050	300	1050	300	215	13
THT/WALL-63-6T-1	990	990	1000	1000	630	80	385	530	505	82	760	1050	300	1050	300	215	13
THT/WALL-71	990	990	1000	1000	710	80	445	630	605	82	760	1050	300	1050	300	225	13
THT/WALL-80	990	990	1000	1000	800	100	490	630	605	82	760	1050	300	1050	300	280	13
THT/WALL-90	1190	1190	1200	1200	900	100	550	730	705	82	790	1250	250	1250	250	280	18
THT/WALL-90-4T-15	1190	1190	1200	1200	900	100	550	830	805	82	790	1250	250	1250	250	280	18
THT/WALL-100	1190	1190	1200	1200	1000	100	600	730	705	82	790	1250	250	1250	250	280	18
THT/WALL-100-4T-15	1190	1190	1200	1200	1000	100	600	830	805	82	790	1250	250	1250	250	280	18
THT/WALL-100-4T-20	1190	1190	1200	1200	1000	100	600	830	805	82	790	1250	250	1250	250	280	18
THT/WALL-125	1490	1490	1500	1500	1250	100	725	1050	1025	82	1240	1600	300	1600	300	300	18
THT/WALL-125-4T/6-20	1490	1490	1500	1500	1250	100	725	850	825	82	1240	1600	300	1600	300	300	18
THT/WALL-125-4T/6-50	1490	1490	1500	1500	1250	100	725	1150	1125	82	1240	1600	300	1600	300	300	18
THT/WALL-125-4T/9-50	1490	1490	1500	1500	1250	100	725	1150	1125	82	1240	1600	300	1600	300	300	18
THT/WALL-125-4T/12-50	1490	1490	1500	1500	1250	100	725	1150	1125	82	1240	1600	300	1600	300	300	18
THT/WALL-125-6T/6-5.5	1490	1490	1500	1500	1250	100	725	850	825	82	1240	1600	300	1600	300	300	18
THT/WALL-125-6T/6-7.5	1490	1490	1500	1500	1250	100	725	850	825	82	1240	1600	300	1600	300	300	18
THT/WALL-125-6T/6-10	1490	1490	1500	1500	1250	100	725	850	825	82	1240	1600	300	1600	300	300	18
THT/WALL-125-6T/6-15	1490	1490	1500	1500	1250	100	725	850	825	82	1240	1600	300	1600	300	300	18
THT/WALL-125-6T/9-10	1490	1490	1500	1500	1250	100	725	850	825	82	1240	1600	300	1600	300	300	18
THT/WALL-125-6T/9-15	1490	1490	1500	1500	1250	100	725	850	825	82	1240	1600	300	1600	300	300	18

* Recommended nominal tube diameter
(C x D) Nominal size of the wall opening.



THT/WALL-F



Dynamic wall mounted extractor fans with motorised hatch, for smoke exhaust in case of fires, 400 °C/2h and 300 °C/2h

Dynamic wall extractor fans with motorised opening system and protective grating for use without extract duct. Specially designed for the fast, effective exhaust of harmful smoke and gases in the event of fire. Suitable for installation in industrial buildings, stores or in any other type of building. Approved as a whole in accordance with standard EN 12101-3, with F400 and F300 certificate. Can be used for ambient ventilation.

Fan:

- Wall fixing flange for correct and easy installation.
- Support frame in galvanised sheet steel.
- With F400 certificate number 0370-CPR-2823 and F300 certificate number 0370-CPR-3249.
- Variable angle impeller made of cast aluminium.
- Shielded power cable with EMC protection.
- Airflow direction from motor to impeller.
- Protection grid against contacts according to UNE-EN ISO 12499.

Extruded aluminum hatch:

- An extremely robust structure that is able to withstand severe weather changes.
- Designed to ensure watertightness.
- Aluminum profile with thermal bridge break.
- Central ceiling and structure equipped with high performance thermal insulation.

- Thermal resistance of the assembly less than 0.89 W/m²·K.
- Limit switches in both positions (open and closed).
- Manual opening system.

Motor:

- Class H motors for S1 continuous operation and S2 emergency use. With ball bearings, IP55 protection and 1 or 2 speeds, depending on model.
- IE3 efficiency motors.
- Three-phase 230/400 V 50 Hz (up to 3 kW) and 400/690 V 50 Hz (powers greater than 3 kW).
- Maximum temperature of air to be carried: S1 -25 °C +40 °C continuous service, also suitable for warm climates with temperatures up to 50 °C. S2 operation, 300 °C/2h, 400 °C/2h.

Actuator:

- Reliability greater than 11,000 dual cycles.
- Supply voltage at 230 V AC 50/60 Hz.
- Working temperature: -25 °C +60 °C.

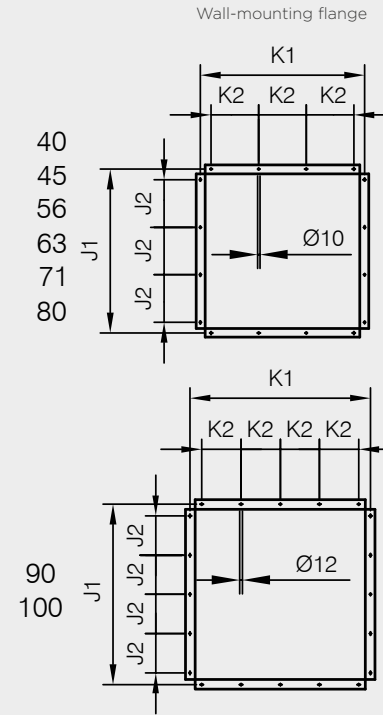
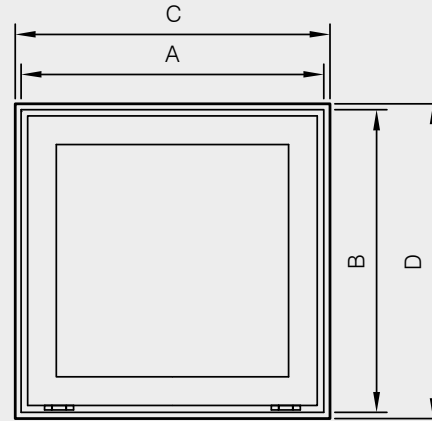
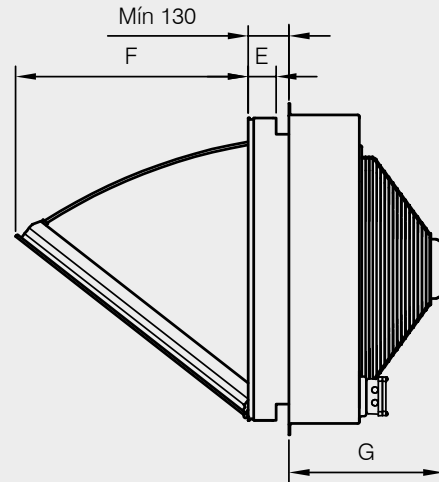
Flap finish:

- Anti-corrosive in extruded aluminum.
- RAL 7016 supplied as standard. Any other RAL can be supplied on demand.

Model	Speed (r/min)	Maximum admissible current (A)			Installed power (kW)	Blade tilt angle (°)	Maximum flow rate (m ³ /h)	Sound pressure level ¹ dB (A)		Approx. weight (Kg)
		230V	400V	690V				Inlet	Exhaust	
THT/WALL-F-40-2T-1.5 IE3	2880	3.93	2.26		1.10	20	7040	61	61	55
THT/WALL-F-45-2T-2 IE3	2880	4.91	2.84		1.50	16	9400	61	61	63
THT/WALL-F-45-2T-3 IE3	2840	7.14	4.13		2.20	22	11325	61	61	67
THT/WALL-F-56-4T-2 IE3	1440	5.89	3.38		1.50	36	15020	54	54	69
THT/WALL-F-63-4T-3 IE3	1425	7.86	4.52		2.20	32	22170	58	58	97
THT/WALL-F-63-4T-4 IE3	1430	11.01	6.33		3.00	38	24240	59	59	103
THT/WALL-F-71-4T-3 IE3	1425	7.86	4.52		2.20	22	25100	60	60	100
THT/WALL-F-71-4T-4 IE3	1430	11.01	6.33		3.00	28	27480	60	60	106
THT/WALL-F-71-6T-1.5 IE3	945	4.73	2.72		1.10	34	19930	51	51	98
THT/WALL-F-80-4T-3 IE3	1425	7.86	4.52		2.20	12	25460	65	65	114
THT/WALL-F-80-4T-4 IE3	1430	11.01	6.33		3.00	16	30270	64	64	120
THT/WALL-F-80-4T-5.5 IE3	1440		7.95	4.61	4.00	18	32770	63	63	122
THT/WALL-F-80-4T-7.5 IE3	1460		10.40	6.04	5.50	26	39640	63	63	152
THT/WALL-F-80-6T-1.5 IE3	945	4.73	2.72		1.10	18	21470	53	53	112
THT/WALL-F-80-6T-2 IE3	945	6.25	3.62		1.50	26	25970	54	54	116
THT/WALL-F-90-4T-7.5 IE3	1460		10.40	6.04	5.50	18	46140	67	67	187
THT/WALL-F-90-4T-10 IE3	1460		14.20	8.17	7.50	22	50140	66	66	183
THT/WALL-F-90-6T-3 IE3	950	9.78	5.62		2.20	24	34000	56	56	145
THT/WALL-F-90-6T-4 IE3	970	12.80	6.36		3.00	30	38910	59	59	165
THT/WALL-F-100-4T-10 IE3	1460		14.20	8.17	7.50	16	57420	69	69	194
THT/WALL-F-100-4T-15 IE3	1460		20.70	11.99	11.00	22	66300	69	69	226
THT/WALL-F-100-4T-20 IE3	1460		27.80	16.03	15.00	28	76160	70	70	237
THT/WALL-F-100-6T-5.5 IE3	970		8.37	4.82	4.00	26	47780	60	60	178

¹The noise level values are pressures in dB(A) measured at a distance of 10 metres in a free field.

THT/WALL-F



Model	A	B	C	D	E	F	G	J1	J2	K1	K2
THT/WALL-F-40	640	590	650	600	82	430	375	700	200	700	200
THT/WALL-F-45	640	590	650	600	82	430	400	700	200	700	200
THT/WALL-F-56	690	690	700	700	82	560	415	790	220	790	220
THT/WALL-F-63	990	990	1000	1000	82	760	475	1050	300	1050	300
THT/WALL-F-71	990	990	1000	1000	82	760	500	1050	300	1050	300
THT/WALL-F-80	990	990	1000	1000	82	760	500	1050	300	1050	300
THT/WALL-F-90	1190	1190	1200	1200	82	790	525	1250	250	1250	250
THT/WALL-F-100	1190	1190	1200	1200	82	790	550	1250	250	1250	250

(C x D) Nominal size of the wall opening.

WALL/DUCT



Dynamic wall mount extractor fans fitted with motorised hatch

Dynamic wall mount extractor fans with motorised opening system for connection to extract duct. Suitable for installation in industrial buildings, stores or in any other type of building.

Fan:

- Helicoidal casing support and fixing flange to allow easy wall anchorage and installation.
- Tubular casing in sheet steel with external terminal box.
- PL impellers manufactured in polyamide 6 re-inforced with fibreglass. AL impellers manufactured in cast aluminum. Models 40-2T, 45-2T, 100-4T-15, 100-4T-20 and 125 are only supplied in AL version.
- Airflow direction from motor to impeller.

Extruded aluminum hatch:

- An extremely robust structure that is able to withstand severe weather changes.
- Designed to ensure watertightness.
- Aluminum profile with thermal bridge break.
- Central ceiling and structure equipped with high performance thermal insulation.
- Thermal resistance of the assembly less than 0.89 W/m²·K.

- Limit switches in both positions (open and closed).
- Possibility of mounting in upper and lower opening. Size 125 only top opening.
- Manual opening system.

Motor:

- IE3 efficiency motors.
- Class F motors with ball bearings, IP55 protection.
- Three-phase 230/400 V 50 Hz (up to 4 kW) and 400/690 V 50 Hz (powers greater than 4 kW).
- Working temperature: -25 °C +60 °C.

Actuator:

- Reliability greater than 11,000 dual cycles.
- Supply voltage at 230 V AC 50/60 Hz.
- Working temperature: -25 °C +60 °C.

Flap finish:

- Anti-corrosive in extruded aluminum.
- RAL 7016 supplied as standard. Any other RAL can be supplied on demand.

On request:

- AA: impeller-motor air direction for air entry to premises.

Model	Speed (r/min)	Maximum admissible current (A)			Installed power (kW)	Maximum flow rate (m ³ /h)	Sound pressure level ¹ dB (A)		Approx. weight (Kg)
		230V	400V	690V			Inlet	Exhaust	
WALL/DUCT-40-2T-1.5 IE3	2830	4.03	2.34		1.10	8800	64	65	55
WALL/DUCT-45-2T-2 IE3	2875	5.34	3.07		1.50	10630	67	68	64
WALL/DUCT-45-2T-3 IE3	2910	7.32	4.21		2.20	12740	69	70	68
WALL/DUCT-45-4T-0.5	1370	2.02	1.17		0.37	7100	49	50	53
WALL/DUCT-50-4T-0.75	1420	2.17	1.25		0.55	10380	53	54	63
WALL/DUCT-56-4T-1 IE3	1420	2.82	1.62		0.75	12940	56	57	71
WALL/DUCT-56-4T-1.5 IE3	1455	4.07	2.34		1.10	14000	57	58	77
WALL/DUCT-56-4T-2 IE3	1440	5.41	3.11		1.50	15290	58	59	83
WALL/DUCT-56-6T-0.75	900	2.99	1.73		0.55	10000	45	46	70
WALL/DUCT-63-4T-1 IE3	1420	2.82	1.62		0.75	14140	58	59	98
WALL/DUCT-63-4T-1.5 IE3	1455	4.07	2.34		1.10	17000	59	60	104
WALL/DUCT-63-4T-2 IE3	1440	5.41	3.11		1.50	18900	60	61	111
WALL/DUCT-63-4T-3 IE3	1435	7.93	4.56		2.20	22090	61	62	113
WALL/DUCT-63-4T-4 IE3	1440	10.70	6.15		3.00	25390	62	63	119
WALL/DUCT-63-6T-0.75	900	2.99	1.73		0.55	12750	50	51	97
WALL/DUCT-71-4T-2 IE3	1440	5.41	3.11		1.50	21090	64	65	117
WALL/DUCT-71-4T-3 IE3	1435	7.93	4.56		2.20	23950	66	67	119
WALL/DUCT-71-4T-4 IE3	1440	10.70	6.15		3.00	29400	67	68	125
WALL/DUCT-71-6T-1 IE3	940	3.36	1.93		0.75	17250	53	54	112
WALL/DUCT-71-6T-1.5 IE3	945	4.68	2.69		1.10	20950	54	55	117
WALL/DUCT-80-4T-3 IE3	1435	7.93	4.56		2.20	27940	67	68	132
WALL/DUCT-80-4T-4 IE3	1440	10.70	6.15		3.00	32700	68	69	138

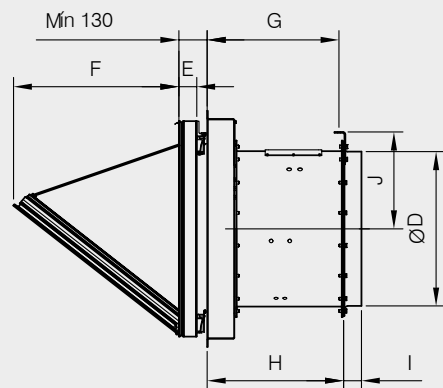
Model	Speed (r/min)	Maximum admissible current (A)			Installed power (kW)	Maximum flow rate (m³/h)	Sound pressure level ¹ dB (A)		Approx. weight (Kg)
		230V	400V	690V			Inlet	Exhaust	
WALL/DUCT-80-4T-5.5 IE3	1450	13.90	8.00		4.00	37200	69	70	140
WALL/DUCT-80-6T-1.5 IE3	945	4.68	2.69		1.10	24250	57	58	131
WALL/DUCT-80-6T-2 IE3	950	6.43	3.70		1.50	27960	58	59	134
WALL/DUCT-90-4T-5.5 IE3	1450	13.90	8.00		4.00	41810	75	76	176
WALL/DUCT-90-4T-7.5 IE3	1465		10.30	5.97	5.50	47000	77	78	211
WALL/DUCT-90-4T-10 IE3	1465		13.90	8.06	7.50	53000	78	79	215
WALL/DUCT-90-6T-2 IE3	950	6.43	3.70		1.50	30000	63	64	167
WALL/DUCT-90-6T-3 IE3	950	9.08	5.22		2.20	35000	64	65	175
WALL/DUCT-90-6T-4 IE3	970	12.00	6.91		3.00	40000	65	66	193
WALL/DUCT-100-4T-7.5 IE3	1465		10.30	5.97	5.50	52470	80	81	221
WALL/DUCT-100-4T-10 IE3	1465		13.90	8.06	7.50	58500	81	82	224
WALL/DUCT-100-4T-15 IE3	1470		20.90	12.10	11.00	68000	82	83	262
WALL/DUCT-100-4T-20 IE3	1465		27.90	16.20	15.00	71850	83	84	273
WALL/DUCT-100-6T-3 IE3	950	9.08	5.22		2.20	40390	70	71	184
WALL/DUCT-100-6T-4 IE3	970	12.00	6.91		3.00	46950	71	72	202
WALL/DUCT-100-6T-5.5 IE3	960	15.60	8.99		4.00	52000	72	73	208
WALL/DUCT-125-4T/6-20 IE3	1470		27.90	16.20	15.00	78610	77	77	462
WALL/DUCT-125-4T/6-25 IE3	1470		35.10	20.30	18.50	92550	76	76	530
WALL/DUCT-125-4T/6-30 IE3	1470		41.00	23.80	22.00	98830	75	75	544
WALL/DUCT-125-4T/6-40 IE3	1475		57.10	33.10	30.00	117460	75	75	625
WALL/DUCT-125-4T/6-50 IE3	1480		66.80	38.70	37.00	131065	75	75	673
WALL/DUCT-125-4T/9-25 IE3	1470		35.10	20.30	18.50	79670	77	77	539

Model	Speed (r/min)	Maximum admissible current (A)			Installed power (kW)	Maximum flow rate (m³/h)	Sound pressure level ¹ dB (A)		Approx. weight (Kg)
		230V	400V	690V			Inlet	Exhaust	
WALL/DUCT-125-4T/9-30 IE3	1470		41.00	23.80	22.00	88280	76	76	553
WALL/DUCT-125-4T/9-40 IE3	1475		57.10	33.10	30.00	104040	75	75	634
WALL/DUCT-125-4T/9-50 IE3	1480		66.80	38.70	37.00	118400	75	75	682
WALL/DUCT-125-4T/12-30 IE3	1475		41.00	23.80	22.00	62895	78	78	569
WALL/DUCT-125-4T/12-40 IE3	1470		57.10	33.10	30.00	79180	77	77	650
WALL/DUCT-125-4T/12-50 IE3	1480		66.80	38.70	37.00	95715	76	76	693
WALL/DUCT-125-6T/6-5.5 IE3	960	15.60	8.99		4.00	51500	67	67	395
WALL/DUCT-125-6T/6-7.5 IE3	960		11.20	6.49	5.50	60635	65	65	402
WALL/DUCT-125-6T/6-10 IE3	960		14.80	8.58	7.50	72650	64	64	427
WALL/DUCT-125-6T/6-15 IE3	955		21.90	12.70	11.00	85870	64	64	457
WALL/DUCT-125-6T/6-20 IE3	970		28.20	16.30	15.00	92855	66	66	530
WALL/DUCT-125-6T/9-10 IE3	960		14.80	8.58	7.50	63490	67	67	436
WALL/DUCT-125-6T/9-15 IE3	955		21.90	12.70	11.00	77570	65	65	466
WALL/DUCT-125-6T/9-20 IE3	970		28.20	16.30	15.00	92970	65	65	539
WALL/DUCT-125-6T/9-25 IE3	975		35.90	20.80	18.50	96500	67	67	569
WALL/DUCT-125-6T/12-25 IE3	975		35.90	20.80	18.50	91680	67	67	579
WALL/DUCT-125-6T/12-30 IE3	975		42.40	24.60	22.00	102040	68	68	621
WALL/DUCT-125-6T/12-40 IE3	980		55.40	32.10	30.00	115940	72	72	739

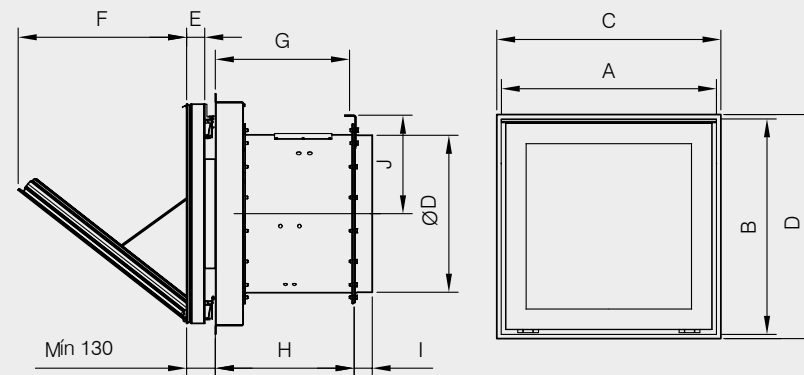
¹ The noise level values are pressures in dB(A) measured at a distance of 10 metres in a free field.

WALL/DUCT

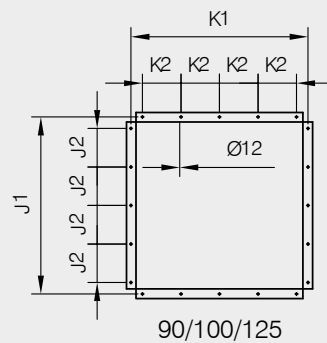
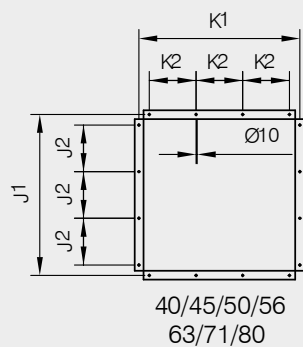
WALL/DUCT-40...100



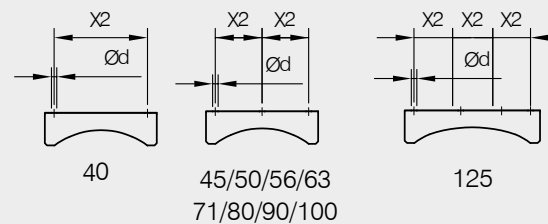
WALL/DUCT-125



Wall-mounting flange



Helical ring support stand



Model	A	B	C	ød	D	ØD*	E	F	G	H	I	J	J1	J2	K1	K2	X2
WALL/DUCT-40	640	590	650	10	600	400	82	430	430	450	80	255	700	200	700	200	200
WALL/DUCT-45	640	590	650	12	600	450	82	430	470	490	80	280	700	200	700	200	200
WALL/DUCT-50	690	690	700	12	700	500	82	560	470	490	80	305	790	220	790	220	200
WALL/DUCT-56	690	690	700	13	700	560	82	560	510	530	80	340	790	220	790	220	215
WALL/DUCT-63	990	990	1000	13	1000	630	82	760	540	560	80	385	1050	300	1050	300	215
WALL/DUCT-71	990	990	1000	13	1000	710	82	760	605	630	80	445	1050	300	1050	300	225
WALL/DUCT-80	990	990	1000	13	1000	800	82	760	605	630	100	490	1050	300	1050	300	280
WALL/DUCT-90	1190	1190	1200	18	1200	900	82	790	605	630	100	550	1250	250	1250	250	280
WALL/DUCT-100	1190	1190	1200	18	1200	1000	82	790	705	730	100	600	1250	250	1250	250	280
WALL/DUCT-100-4T-15	1190	1190	1200	18	1200	1000	82	790	805	830	100	600	1250	250	1250	250	280
WALL/DUCT-100-4T-20	1190	1190	1200	18	1200	1000	82	790	805	830	100	600	1250	250	1250	250	280
WALL/DUCT-125	1490	1490	1500	18	1500	1250	82	1240	1025	1045	100	725	1600	300	1600	300	300
WALL/DUCT-125-4T/6-20	1490	1490	1500	18	1500	1250	82	1240	825	845	100	725	1600	300	1600	300	300
WALL/DUCT-125-4T/6-50	1490	1490	1500	18	1500	1250	82	1240	1125	1145	100	725	1600	300	1600	300	300
WALL/DUCT-125-4T/9-50	1490	1490	1500	18	1500	1250	82	1240	1125	1145	100	725	1600	300	1600	300	300
WALL/DUCT-125-4T/12-50	1490	1490	1500	18	1500	1250	82	1240	1125	1145	100	725	1600	300	1600	300	300
WALL/DUCT-125-6T/6-5.5	1490	1490	1500	18	1500	1250	82	1240	825	845	100	725	1600	300	1600	300	300
WALL/DUCT-125-6T/6-10	1490	1490	1500	18	1500	1250	82	1240	825	845	100	725	1600	300	1600	300	300
WALL/DUCT-125-6T/6-15	1490	1490	1500	18	1500	1250	82	1240	825	845	100	725	1600	300	1600	300	300
WALL/DUCT-125-6T/6-20	1490	1490	1500	18	1500	1250	82	1240	825	845	100	725	1600	300	1600	300	300
WALL/DUCT-125-6T/9-10	1490	1490	1500	18	1500	1250	82	1240	825	845	100	725	1600	300	1600	300	300
WALL/DUCT-125-6T/9-15	1490	1490	1500	18	1500	1250	82	1240	825	845	100	725	1600	300	1600	300	300

* Recommended nominal tube diameter
(C x D) Nominal size of the wall opening.

WALL/FREE



Dynamic wall mount extractor fans fitted with motorised hatch

Dynamic wall extractor fans with motorised opening system and protective grating for use without extract duct. Suitable for installation in industrial buildings, stores or in any other type of building.

Fan:

- Wall fixing flange for correct and easy installation.
- Support frame in galvanised sheet steel.
- Variable angle impeller made of cast aluminium.
- Airflow direction from motor to impeller.
- Protection grid against contacts according to UNE-EN ISO 12499.

Extruded aluminum hatch:

- An extremely robust structure that is able to withstand severe weather changes.
- Designed to ensure watertightness.
- Aluminum profile with thermal bridge break.
- Central ceiling and structure equipped with high performance thermal insulation.
- Thermal resistance of the assembly less than 0.89 W/m²·K.
- Limit switches in both positions (open and closed).
- Possibility of mounting in upper and lower opening.
- Manual opening system.

Motor:

- Class F motors with ball bearings. IP55 protection. Except single-phase models from size 45 to size 56, with IP54 protection. 1 or 2 speeds depending on model.
- IE3 efficiency motors.
- Three-phase 230/400 V 50 Hz (up to 4 kW) and 400/690 V 50 Hz (powers greater than 4 kW).
- Working temperature: -25 °C +50 °C.

Actuator:

- Reliability greater than 11,000 dual cycles.
- Supply voltage at 230 V AC 50/60 Hz.
- Working temperature: -25 °C +60 °C.

Flap finish:

- Anti-corrosive in extruded aluminum.
- RAL 7016 supplied as standard. Any other RAL can be supplied on demand.

On request:

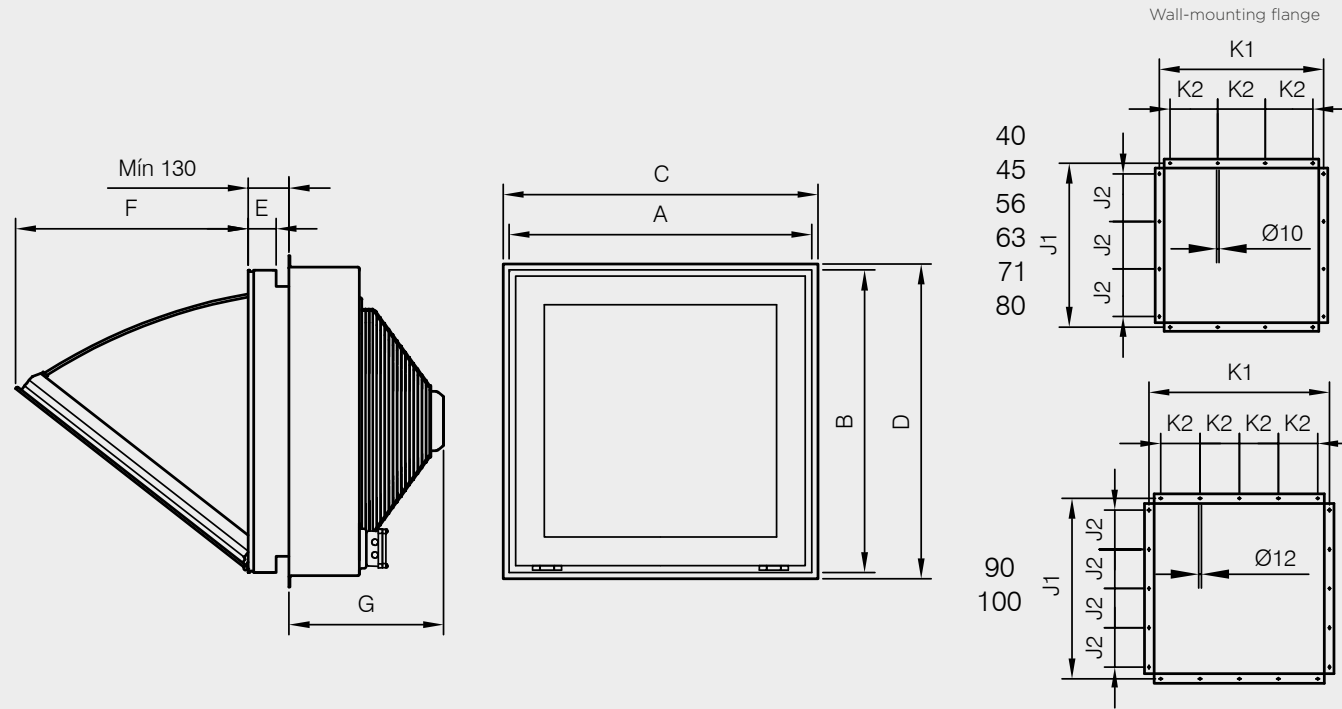
- AA: impeller-motor air direction for air entry to premises.

Model	Speed (r/min)	Maximum admissible current (A)			Installed power (kW)	Maximum flow rate (m ³ /h)	Sound pressure level ¹ dB (A)		Approx. weight (Kg)
		230V	400V	690V			Inlet	Exhaust	
WALL/FREE-40-2T-1.5 IE3	2830	4.03	2.34		1.10	8805	64	64	55
WALL/FREE-45-2T-2 IE3	2875	5.34	3.07		1.50	10630	67	67	63
WALL/FREE-45-2T-3 IE3	2910	7.32	4.21		2.20	12745	69	69	67
WALL/FREE-56-4T-2 IE3	1440	5.41	3.11		1.50	15290	58	58	69
WALL/FREE-63-4T-3 IE3	1435	7.93	4.56		2.20	22090	61	61	97
WALL/FREE-63-4T-4 IE3	1440	10.70	6.15		3.00	25390	62	62	103
WALL/FREE-71-4T-3 IE3	1435	7.93	4.56		2.20	23970	66	66	100
WALL/FREE-71-4T-4 IE3	1440	10.70	6.15		3.00	29410	67	67	106
WALL/FREE-71-6T-1.5 IE3	945	4.68	2.69		1.10	20965	54	54	98
WALL/FREE-80-4T-3 IE3	1435	7.93	4.56		2.20	27940	67	67	114
WALL/FREE-80-4T-4 IE3	1440	10.70	6.15		3.00	32720	68	68	120
WALL/FREE-80-4T-5.5 IE3	1450	13.90	8.00		4.00	37440	69	69	122
WALL/FREE-80-6T-1.5 IE3	945	4.68	2.69		1.10	24650	57	57	112
WALL/FREE-80-6T-2 IE3	950	6.43	3.70		1.50	27960	58	58	116
WALL/FREE-90-4T-7.5 IE3	1465		10.30	5.97	5.50	47550	77	77	183
WALL/FREE-90-4T-10 IE3	1465		13.90	8.06	7.50	53120	78	78	187
WALL/FREE-90-6T-3 IE3	950	9.08	5.22		2.20	35555	64	64	145
WALL/FREE-90-6T-4 IE3	970	12.00	6.91		3.00	40165	65	65	165
WALL/FREE-100-4T-10 IE3	1465		13.90	8.06	7.50	58560	81	81	194
WALL/FREE-100-4T-15 IE3	1470		20.90	12.10	11.00	68000	82	82	226
WALL/FREE-100-4T-20 IE3	1465		27.90	16.20	15.00	71850	83	83	237
WALL/FREE-100-6T-5.5 IE3	960	15.60	8.99		4.00	52025	72	72	178

¹The noise level values are pressures in dB(A) measured at a distance of 10 metres in a free field.



WALL/FREE



Model	A	B	C	D	E	F	G	J1	J2	K1	K2
WALL/FREE-40	640	590	650	600	82	430	375	700	200	700	200
WALL/FREE-45	640	590	650	600	82	430	400	700	200	700	200
WALL/FREE-56	690	690	700	700	82	560	415	790	220	790	220
WALL/FREE-63	990	990	1000	1000	82	760	475	1050	300	1050	300
WALL/FREE-71	990	990	1000	1000	82	760	500	1050	300	1050	300
WALL/FREE-80	990	990	1000	1000	82	760	500	1050	300	1050	300
WALL/FREE-90	1190	1190	1200	1200	82	790	525	1250	250	1250	250
WALL/FREE-100	1190	1190	1200	1200	82	790	550	1250	250	1250	250

(C x D) Nominal size of the wall opening.

WALL/AXIAL



Dynamic wall mount axial extract fans fitted with motorised hatch

Wall mounted axial fans with fibreglass reinforced plastic propeller with motorised opening damper. Suitable for installation in industrial buildings or commercial facilities.

Fan:

- Wall fixing flange for correct and easy installation.
- Support frame in galvanised sheet steel.
- Fibreglass reinforced polyamide-6 impeller.
- Protection grid against contacts according to UNE-EN ISO 12499.
- On models 71, the protective grille is supplied as an accessory.
- Airflow direction from motor to impeller.

Extruded aluminum hatch:

- An extremely robust structure that is able to withstand severe weather changes.
- Designed to ensure watertightness.
- Aluminum profile with thermal bridge break.
- Central ceiling and structure equipped with high performance thermal insulation.
- Thermal resistance of the assembly less than 0.89 W/m²·K.
- Limit switches in both positions (open and closed).
- Possibility of mounting in upper and lower opening.
- Manual opening system.

Motor:

- Motors with IE3 efficiency for powers equal to or greater than 0.75 kW, except single-phase, 2-speed and 8-pole.
- Class F motors with ball bearings, IP55 protection.
- Three-phase 230/400 V 50 Hz.
- Working temperature: -25 °C +60 °C.

Actuator:

- Reliability greater than 11,000 dual cycles.
- Supply voltage at 230 V AC 50/60 Hz.
- Working temperature: -25 °C +60 °C.

Flap finish:

- Anti-corrosive in extruded aluminum.
- RAL 7016 supplied as standard. Any other RAL can be supplied on demand.

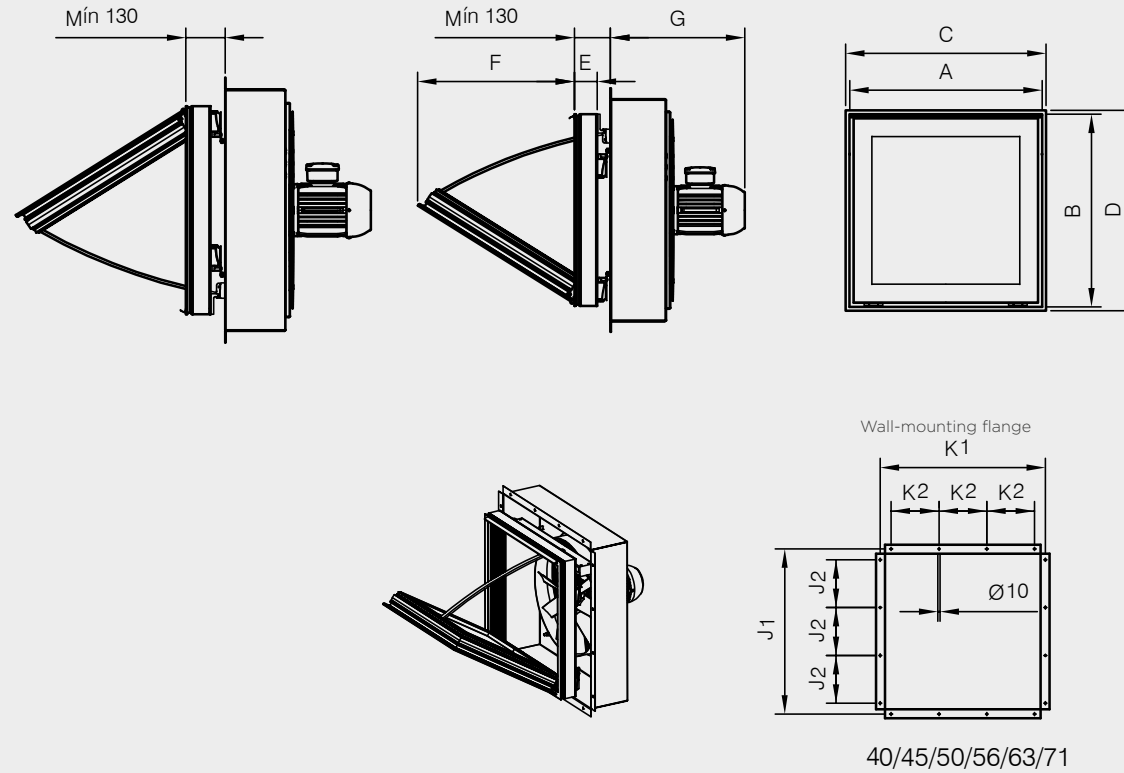
On request:

- AA: impeller-motor air direction for air entry to premises.

Model	Speed (r/min)	Maximum admissible current (A)		Installed power (kW)	Maximum flow rate (m ³ /h)	Sound pressure level ¹ dB (A)		Approx. weight (Kg)
		230V	400V			Inlet	Exhaust	
WALL/AXIAL-40-4T	1350	1.66	0.96	0.25	5180	44	44	32
WALL/AXIAL-45-4T	1370	2.02	1.17	0.37	7275	49	49	36
WALL/AXIAL-50-4T	1420	2.17	1.25	0.55	10185	52	52	44
WALL/AXIAL-56-4T IE3	1455	4.07	2.34	1.10	12985	55	55	55
WALL/AXIAL-56-6T	900	2.24	1.30	0.37	8290	44	44	46
WALL/AXIAL-63-4T IE3	1455	4.07	2.34	1.10	16455	59	59	80
WALL/AXIAL-63-6T	900	2.24	1.30	0.37	12340	49	49	71
WALL/AXIAL-71-4T IE3	1440	5.41	3.11	1.50	22170	63	63	92
WALL/AXIAL-71-6T IE3	940	3.36	1.93	0.75	17325	51	51	88

¹ Sound pressure level in dB(A) at a distance of 10 m and at maximum flow rate.

WALL/AXIAL



Model	A	B	C	D	E	F	G	J1	J2	K1	K2
WALL-AXIAL-40	640	590	650	600	82	430	400	700	200	700	200
WALL-AXIAL-45	640	590	650	600	82	430	405	700	200	730	200
WALL-AXIAL-50	690	690	700	700	82	560	455	790	220	790	220
WALL-AXIAL-56	690	690	700	700	82	560	485	840	220	840	220
WALL-AXIAL-63	990	990	1000	1000	82	760	480	1050	300	1050	300
WALL-AXIAL-71	990	990	1000	1000	82	760	480	1050	300	1050	300

(C x D) Nominal size of the wall opening.

THT/HATCH



400 °C/2h and 300 °C/2h dynamic discharge systems with motorised opening, equipped with roof-mount extract fan, for smoke exhaust in the event of fire

Dynamic discharge systems with roof-mounted extract fans and motorised opening function. Specially designed for the fast, effective exhaust of harmful smoke and gases in the event of fire. Suitable for installation in industrial or commercial buildings. Approved in accordance with standard EN 12101-3, with F400 and F300 certificate. The rapid smoke extract permits the efficient intervention of fire fighters, fast evacuation of people and prevents new sources of fire and greater structural damage to the building. Can also be used for ambient ventilation in the buildings in which it is installed.

Fan:

- An extremely robust structure that is able to withstand severe weather changes.
- Equipment structure made of anti-corrosive galvanised sheet steel.
- Designed to ensure watertightness.
- 100 mm thick thermal insulation for the hatch and 60 mm for the sides.
- Adapter socket (or skirting) for correct and easy installation on the roof.
- Maintenance switches for actuator and fan disconnection with auxiliary contacts.
- Roof mounted extract fans with F400 certificate No. 0370-CPR-1827 and F300 certificate No. 0370-CPR-3406.
- Tubular casing in sheet steel with polyester resin anti-corrosive treatment.
- Adjustable cast aluminum impeller.
- Shielded power cable with EMC protection.
- Thermal resistance of the assembly less than 0.47 W/m²·K.

Opening system:

- Motorised opening arm, with encapsulated IP65 mechanism.

- Supply voltage at 230 V AC 50/60 Hz.
- System reinforced and guaranteed with more than 11,000 cycles.
- Snow load SL 1000.
- Automatic opening by external signal from the control system (fire panel, smoke detector ...). Control systems not included in the equipment.
- Limit switches in both positions (open and closed).

Motor:

- Class H motors for S1 continuous operation and S2 emergency use. With ball bearings and IP55 protection.
- IE3 efficiency motors.
- Three-phase 230/400 V 50 Hz (up to 3 kW) and 400/690 V 50 Hz (powers greater than 3 kW).
- Maximum temperature of air to be carried: S1 -25 °C +40 °C continuous service, also suitable for warm climates with temperatures up to 50 °C. S2 operation, 300 °C/2h, 400 °C/2h.

Finish:

- Galvanised steel sheet.

On request:

- Polyester resin anti-corrosive paint finish.
- Motorised opening arms with supply voltage of 24 V DC.
- Protection grille against contact according to UNE-EN ISO 12499 for inlet and/or outlet.



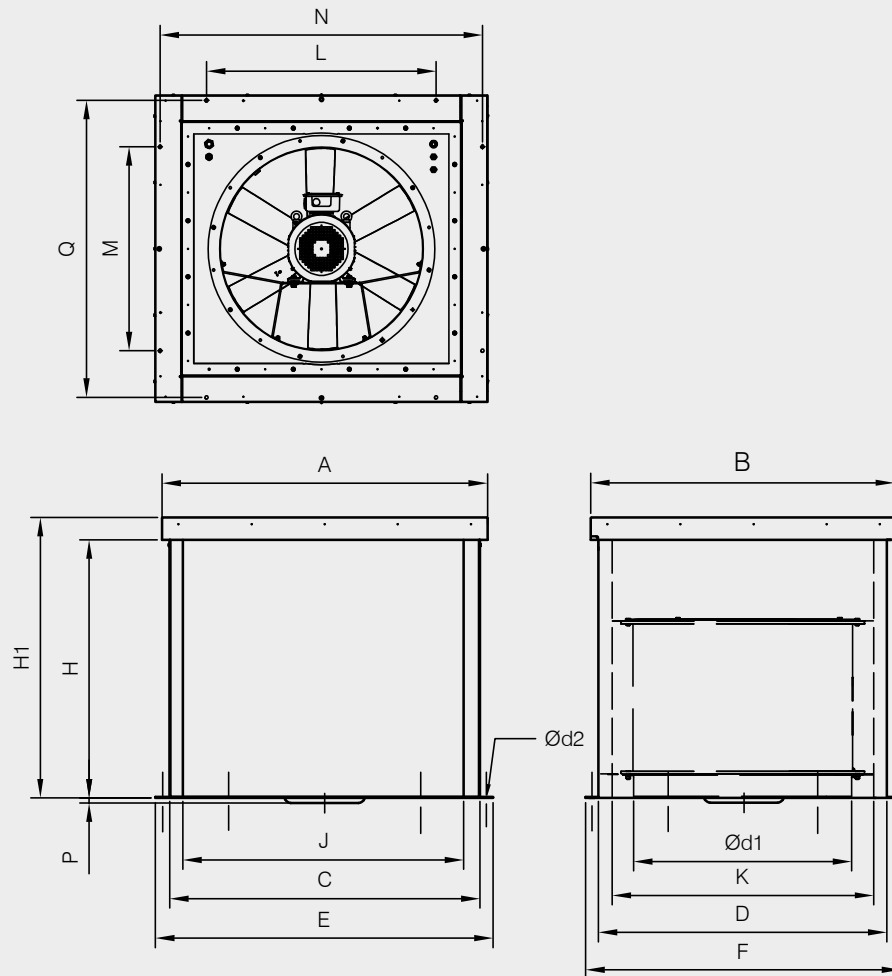
Model	Speed (r/min)	Maximum admissible current (A)			Installed power (kW)	Blade tilt angle (°)	Maximum flow rate (m ³ /h)	Sound pressure level ¹ dB (A)		Approx. weight (Kg)
		230V	400V	690V				Inlet	Exhaust	
THT/HATCH-40-2T-1 IE3	2850	2.76	1.59		0.75	16	6100	62	62	184
THT/HATCH-40-2T-1.5 IE3	2880	3.93	2.26		1.10	20	7040	61	61	188
THT/HATCH-45-2T-2 IE3	2880	4.91	2.84		1.50	16	9400	61	61	193
THT/HATCH-45-2T-3 IE3	2840	7.14	4.13		2.20	22	11325	61	61	194
THT/HATCH-50-2T-4 IE3	2880	9.61	5.52		3.00	16	13860	66	66	206
THT/HATCH-56-2T-5.5 IE3	2870		7.20	4.17	4.00	16	18820	68	68	226
THT/HATCH-56-2T-7.5 IE3	2910		10.10	5.80	5.50	22	22510	68	68	237
THT/HATCH-63-4T-3 IE3	1425	7.86	4.52		2.20	32	22170	58	58	262
THT/HATCH-63-4T-4 IE3	1430	11.01	6.33		3.00	38	24240	59	59	271
THT/HATCH-63-6T-1 IE3	940	3.36	1.93		0.75	38	15890	48	48	252
THT/HATCH-80-4T-3 IE3	1425	7.86	4.52		2.20	12	25460	65	65	280
THT/HATCH-80-4T-4 IE3	1430	11.01	6.33		3.00	16	30270	64	64	289
THT/HATCH-80-4T-5.5 IE3	1440		7.95	4.61	4.00	18	32770	63	63	295
THT/HATCH-80-4T-7.5 IE3	1460		10.40	6.04	5.50	26	39640	63	63	311
THT/HATCH-80-6T-1.5 IE3	945	4.73	2.72		1.10	18	21470	53	53	279

Model	Speed (r/min)	Maximum admissible current (A)			Installed power (kW)	Blade tilt angle (°)	Maximum flow rate (m³/h)	Sound pressure level ¹ dB (A)		Approx. weight (Kg)
		230V	400V	690V				Inlet	Exhaust	
THT/HATCH-80-6T-2 IE3	945	6.25	3.62		1.50	26	25970	54	54	288
THT/HATCH-90-4T-7.5 IE3	1460		10.40	6.04	5.50	18	46140	67	67	392
THT/HATCH-90-4T-10 IE3	1460		14.20	8.17	7.50	22	50140	66	66	403
THT/HATCH-90-4T-15 IE3	1460		20.70	11.99	11.00	30	59390	68	68	456
THT/HATCH-90-6T-3 IE3	950	9.78	5.62		2.20	24	34000	56	56	365
THT/HATCH-90-6T-4 IE3	970	12.80	6.36		3.00	30	38910	59	59	391
THT/HATCH-100-4T-10 IE3	1460		14.20	8.17	7.50	16	57420	69	69	413
THT/HATCH-100-4T-15 IE3	1460		20.70	11.99	11.00	22	66300	69	69	466
THT/HATCH-100-4T-20 IE3	1460		27.80	16.03	15.00	28	76160	70	70	481
THT/HATCH-100-4T/9-25 IE3	1475		35.40	20.39	18.50	26	70620	70	70	535
THT/HATCH-100-4T/9-30 IE3	1475		42.20	24.44	22.00	30	74840	72	72	552
THT/HATCH-100-6T-5.5 IE3	970		8.37	4.82	4.00	26	47780	60	60	413
THT/HATCH-100-6T-7.5 IE3	970		12.30	7.07	5.50	32	53520	62	62	420
THT/HATCH-125-6T/6-25 IE3	1465		35.40	20.39	18.50	14	92550	76	76	746
THT/HATCH-125-4T/6-30 IE3	1470		42.20	24.44	22.00	16	98830	75	75	760

Model	Speed (r/min)	Maximum admissible current (A)			Installed power (kW)	Blade tilt angle (°)	Maximum flow rate (m³/h)	Sound pressure level ¹ dB (A)		Approx. weight (Kg)
		230V	400V	690V				Inlet	Exhaust	
THT/HATCH-125-4T/6-40 IE3	1475		53.30	31.02	30.00	22	117450	75	75	841
THT/HATCH-125-4T/6-50 IE3	1480		66.40	38.26	37.00	26	131050	75	75	889
THT/HATCH-125-4T/9-25 IE3	1465		35.40	20.39	18.50	10	79650	77	77	755
THT/HATCH-125-4T/9-30 IE3	1470		42.20	24.44	22.00	12	88290	76	76	769
THT/HATCH-125-4T/9-40 IE3	1475		53.30	31.02	30.00	16	104040	75	75	850
THT/HATCH-125-4T/9-50 IE3	1480		66.40	38.26	37.00	20	118400	75	75	898
THT/HATCH-125-6T/6-5.5 IE3	970		8.37	4.82	4.00	10	51500	67	67	611
THT/HATCH-125-6T/6-7.5 IE3	970		12.30	7.07	5.50	14	60640	65	65	618
THT/HATCH-125-6T/6-10 IE3	960		15.20	8.83	7.50	20	72650	64	64	643
THT/HATCH-125-6T/6-15 IE3	955		22.50	13.07	11.00	26	85850	64	64	673
THT/HATCH-125-6T/6-20 IE3	950		29.00	16.78	15.00	30	92850	66	66	746
THT/HATCH-125-6T/9-10 IE3	960		15.20	8.83	7.50	14	63490	67	67	652
THT/HATCH-125-6T/9-15 IE3	955		22.50	13.07	11.00	20	77550	65	65	682
THT/HATCH-125-6T/9-20 IE3	950		29.00	16.78	15.00	26	92950	65	65	755

¹The noise level values are pressures in dB(A) measured at a distance of 10 metres in a free field.

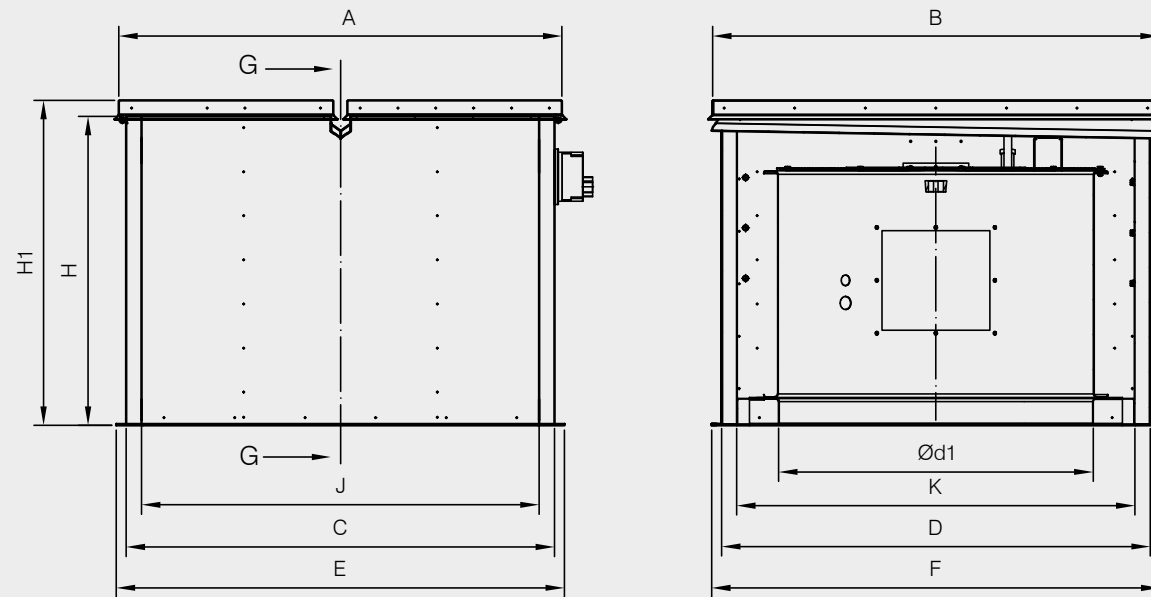
THT/HATCH
40 ... 100



Model	A	B	C	D	Ød1	Ød2	E	F	H
THT/HATCH-40	1100	1000	1020	920	400	13	1100	1000	900
THT/HATCH-45	1100	1000	1020	920	450	13	1100	1000	900
THT/HATCH-50	1100	1000	1020	920	500	13	1100	1000	900
THT/HATCH-56	1100	1000	1020	920	560	13	1100	1000	900
THT/HATCH-63	1300	1200	1220	1120	630	13	1300	1200	900
THT/HATCH-80	1300	1200	1220	1120	800	13	1300	1200	900
THT/HATCH-90	1500	1400	1420	1320	900	13	1500	1400	900
THT/HATCH-90-4T-15	1500	1400	1420	1320	900	13	1500	1400	900
THT/HATCH-100	1500	1400	1420	1320	1000	13	1500	1400	900
THT/HATCH-100-4T-15	1500	1400	1420	1320	1000	13	1500	1400	900
THT/HATCH-100-4T-20	1500	1400	1420	1320	1000	13	1500	1400	900
THT/HATCH-100-4T/9-25	1500	1400	1420	1320	1000	13	1500	1400	900
THT/HATCH-100-4T/9-30	1500	1400	1420	1320	1000	13	1500	1400	900

Model	H1	J	K	L	M	N	P	Q
THT/HATCH-40	1000	900	800	700	600	1065	-	965
THT/HATCH-45	1000	900	800	700	600	1065	-	965
THT/HATCH-50	1000	900	800	700	600	1065	-	965
THT/HATCH-56	1000	900	800	700	600	1065	-	965
THT/HATCH-63	1000	1100	1000	900	800	1265	-	1165
THT/HATCH-80	1000	1100	1000	900	800	1265	-	1165
THT/HATCH-90	1000	1300	1200	1100	1000	1465	-	1365
THT/HATCH-90-4T-15	1000	1300	1200	1100	1000	1465	38	1365
THT/HATCH-100	1000	1300	1200	1100	1000	1465	-	1365
THT/HATCH-100-4T-15	1000	1300	1200	1100	1000	1465	80	1365
THT/HATCH-100-4T-20	1000	1300	1200	1100	1000	1465	80	1365
THT/HATCH-100-4T/9-25	1000	1300	1200	1100	1000	1465	125	1365
THT/HATCH-100-4T/9-30	1000	1300	1200	1100	1000	1465	125	1365

THT/HATCH-125



Model	A	B	C	D	ød1	E	F	H	H1	J	K
THT/HATCH-125	1750	1775	1700	1700	1245	1780	1780	1230	1330	1580	1580

HCT/HATCH



Dynamic discharge systems with motorised opening function equipped with roof-mount extract fan

Dynamic discharge systems with roof-mounted extract fans and motorised opening function. Suitable for installation in industrial or commercial buildings. Can be used for ambient ventilation in the buildings in which it is installed.

Fan:

- An extremely robust structure that is able to withstand severe weather changes.
- Equipment structure made of anti-corrosive galvanised sheet steel.
- Designed to ensure watertightness.
- 100 mm thick thermal insulation for the hatch and 60 mm for the sides.
- Adapter socket (or skirting) for correct and easy installation on the roof.
- Maintenance switches for actuator and fan disconnection with auxiliary contacts.
- Tubular casing in sheet steel with polyester resin anti-corrosive treatment.
- Cast aluminium impellers.
- Models 125 with 6 or 9 blade cast aluminium impellers, with adjustable angle of inclination.
- Thermal resistance of the assembly less than 0.47 W/m².K.

Opening system:

- Motorised opening arm, with encapsulated IP65 mechanism.
- Supply voltage at 230 V AC 50/60 Hz.
- System reinforced and guaranteed with more than 11,000 cycles.

- Snow load SL 1000.
- Automatic opening by external signal from the control system (fire panel, smoke detector ...). Control systems not included in the equipment.
- Limit switches in both positions (open and closed).

Motor:

- Motors with IE3 efficiency for powers equal to or greater than 0.75 kW, except single-phase, 2-speed and 8-pole.
- Class F motors with ball bearings and IP55 protection.
- Three-phase 230/400 V 50 Hz (up to 4 kW) and 400/690 V 50 Hz (powers greater than 4 kW).
- Working temperature: -25 °C +50 °C.

Finish:

- Galvanised steel sheet.

On request:

- Polyester resin anti-corrosive paint finish.
- Motorised opening arms with supply voltage of 24 V DC.
- Protection grille against contact according to UNE-EN ISO 12499 for inlet and/or outlet.

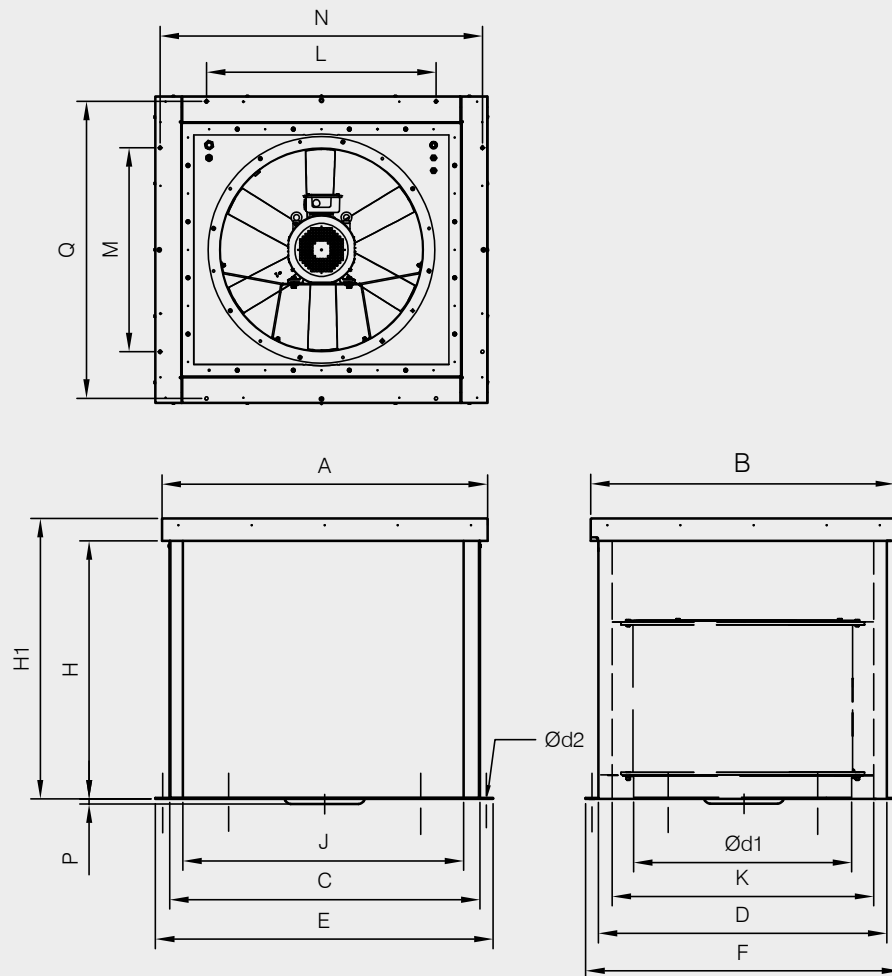
Model	Speed (r/min)	Maximum admissible current (A)			Installed power (kW)	Blade tilt angle (°)	Maximum flow rate (m ³ /h)	Sound pressure level ¹ dB (A)		Approx. weight (Kg)
		230V	400V	690V				Inlet	Exhaust	
HCT/HATCH-40-2T-1.5 IE3	2830	4.03	2.34		1.10	20	7030	61	61	188
HCT/HATCH-45-2T-2 IE3	2875	5.34	3.07		1.50	16	9395	61	61	193
HCT/HATCH-45-2T-3 IE3	2910	7.32	4.21		2.20	22	11325	61	61	194
HCT/HATCH-45-4T-0.5	1370	2.02	1.17		0.37	36	7100	48	48	189
HCT/HATCH-50-4T-0.75	1380	2.17	1.25		0.55	28	9730	50	50	194
HCT/HATCH-56-4T-1 IE3	1420	2.82	1.62		0.75	22	11270	53	53	202
HCT/HATCH-56-4T-1.5 IE3	1455	4.07	2.34		1.10	30	13605	53	53	201
HCT/HATCH-56-4T-2 IE3	1440	5.41	3.11		1.50	36	15025	54	54	205
HCT/HATCH-56-6T-0.75	900	2.99	1.73		0.55	38	10000	44	44	201
HCT/HATCH-63-4T-1 IE3	1420	2.82	1.62		0.75	14	15185	57	57	206
HCT/HATCH-63-4T-1.5 IE3	1455	4.07	2.34		1.10	20	17795	56	56	208
HCT/HATCH-63-4T-2 IE3	1440	5.41	3.11		1.50	24	19275	56	56	212
HCT/HATCH-63-4T-3 IE3	1435	7.93	4.56		2.20	32	22165	58	58	221
HCT/HATCH-63-4T-4 IE3	1440	10.70	6.15		3.00	38	24240	59	59	230
HCT/HATCH-63-6T-0.75	900	2.99	1.73		0.55	28	13590	47	47	249
HCT/HATCH-71-4T-2 IE3	1440	5.41	3.11		1.50	14	20915	60	60	260
HCT/HATCH-71-4T-3 IE3	1435	7.93	4.56		2.20	22	25110	60	60	269
HCT/HATCH-71-4T-4 IE3	1440	10.70	6.15		3.00	28	27480	60	60	278

Model	Speed (r/min)	Maximum admissible current (A)			Installed power (kW)	Blade tilt angle (°)	Maximum flow rate (m³/h)	Sound pressure level ¹ dB (A)		Approx. weight (Kg)
		230V	400V	690V				Inlet	Exhaust	
HCT/HATCH-71-6T-1 IE3	940	3.36	1.93		0.75	26	17305	50	50	260
HCT/HATCH-71-6T-1.5 IE3	945	4.68	2.69		1.10	34	19930	51	51	268
HCT/HATCH-80-4T-3 IE3	1435	7.93	4.56		2.20	12	25450	65	65	280
HCT/HATCH-80-4T-4 IE3	1440	10.70	6.15		3.00	16	30270	64	64	289
HCT/HATCH-80-4T-5.5 IE3	1450	13.90	8.00		4.00	18	32765	63	63	295
HCT/HATCH-80-6T-1.5 IE3	945	4.68	2.69		1.10	18	21470	53	53	279
HCT/HATCH-80-6T-2 IE3	950	6.43	3.70		1.50	26	25965	54	54	288
HCT/HATCH-90-4T-5.5 IE3	1450	13.90	8.00		4.00	12	38880	68	68	318
HCT/HATCH-90-4T-7.5 IE3	1465		10.30	5.97	5.50	18	46135	67	67	344
HCT/HATCH-90-4T-10 IE3	1465		13.90	8.06	7.50	22	50140	66	66	293
HCT/HATCH-90-6T-2 IE3	950	6.43	3.70		1.50	16	28775	56	56	311
HCT/HATCH-90-6T-3 IE3	950	9.08	5.22		2.20	24	33995	56	56	365
HCT/HATCH-90-6T-4 IE3	970	12.00	6.91		3.00	30	38910	59	59	391
HCT/HATCH-100-4T-7.5 IE3	1465		10.30	5.97	5.50	10	46860	72	72	400
HCT/HATCH-100-4T-10 IE3	1465		13.90	8.06	7.50	16	57415	69	69	411
HCT/HATCH-100-4T-15 IE3	1470		20.90	12.10	11.00	22	66300	69	69	466
HCT/HATCH-100-4T-20 IE3	1465		27.90	16.20	15.00	28	76155	70	70	481
HCT/HATCH-100-6T-3 IE3	950	9.08	5.22		2.20	16	37615	60	60	375

Model	Speed (r/min)	Maximum admissible current (A)			Installed power (kW)	Blade tilt angle (°)	Maximum flow rate (m³/h)	Sound pressure level ¹ dB (A)		Approx. weight (Kg)
		230V	400V	690V				Inlet	Exhaust	
HCT/HATCH-100-6T-4 IE3	970	12.00	6.91		3.00	20	41170	59	59	401
HCT/HATCH-100-6T-5.5 IE3	960	15.60	8.99		4.00	26	47780	60	60	413
HCT/HATCH-125-4T/6-25 IE3	1470		35.10	20.30	18.50	14	92545	76	76	746
HCT/HATCH-125-4T/6-30 IE3	1470		41.00	23.80	22.00	16	98830	75	75	760
HCT/HATCH-125-4T/6-40 IE3	1480		57.10	33.10	30.00	22	117455	75	75	841
HCT/HATCH-125-4T/6-50 IE3	1480		66.80	38.70	37.00	26	131065	75	75	889
HCT/HATCH-125-4T/9-25 IE3	1470		35.10	20.30	18.50	10	79670	77	77	755
HCT/HATCH-125-4T/9-30 IE3	1470		41.00	23.80	22.00	12	88280	76	76	769
HCT/HATCH-125-4T/9-40 IE3	1480		57.10	33.10	30.00	16	104040	75	75	850
HCT/HATCH-125-4T/9-50 IE3	1480		66.80	38.70	37.00	20	118400	75	75	898
HCT/HATCH-125-6T/6-5.5 IE3	960	15.60	8.99		4.00	10	51500	67	67	611
HCT/HATCH-125-6T/6-7.5 IE3	970		11.20	6.49	5.50	14	60635	65	65	618
HCT/HATCH-125-6T/6-10 IE3	975		14.80	8.58	7.50	20	72645	64	64	643
HCT/HATCH-125-6T/6-15 IE3	975		21.90	12.70	11.00	26	85870	64	64	673
HCT/HATCH-125-6T/6-20 IE3	975		28.20	16.30	15.00	30	92855	66	66	746
HCT/HATCH-125-6T/9-10 IE3	975		14.80	8.58	7.50	14	63485	67	67	652
HCT/HATCH-125-6T/9-15 IE3	975		21.90	12.70	11.00	20	77570	65	65	682
HCT/HATCH-125-6T/9-20 IE3	975		28.20	16.30	15.00	26	92970	65	65	755

¹The noise level values are pressures in dB(A) measured at a distance of 10 metres in a free field.

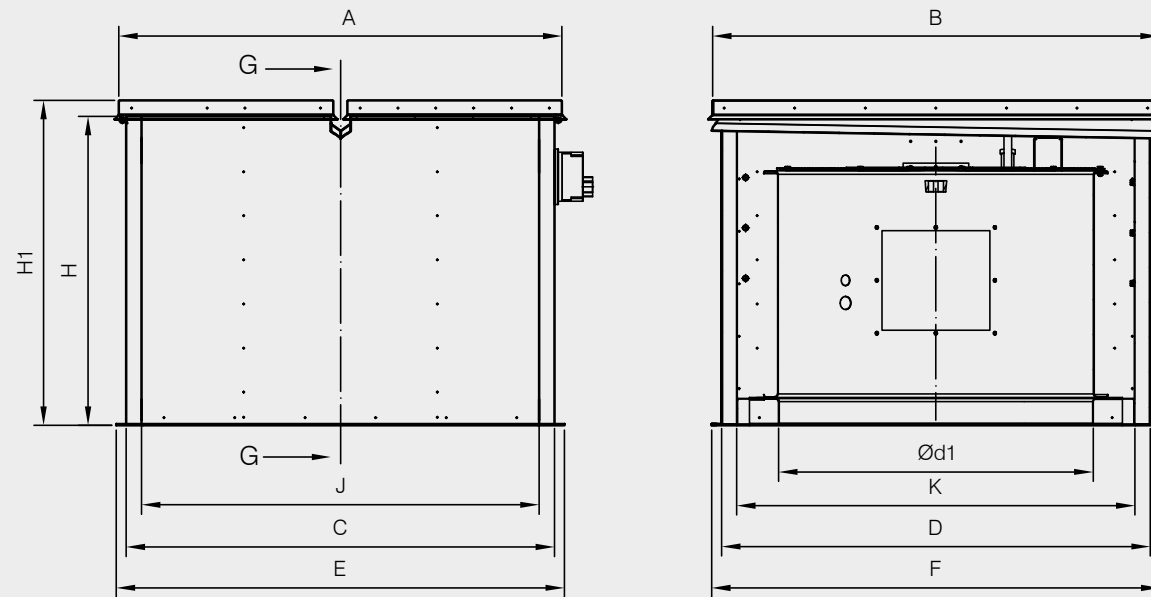
HCT/HATCH
40 ... 100



Model	A	B	C	D	Ød1	E	F	H	H1
HCT/HATCH-40	1100	1000	1020	920	400	1100	1000	900	1000
HCT/HATCH-45	1100	1000	1020	920	450	1100	1000	900	1000
HCT/HATCH-50	1100	1000	1020	920	500	1100	1000	900	1000
HCT/HATCH-56	1100	1000	1020	920	560	1100	1000	900	1000
HCT/HATCH-63	1300	1200	1220	1120	630	1300	1200	900	1000
HCT/HATCH-71	1300	1200	1220	1120	710	1300	1200	900	1000
HCT/HATCH-80	1300	1200	1220	1120	800	1300	1200	900	1000
HCT/HATCH-90	1500	1400	1420	1320	900	1500	1400	900	1000
HCT/HATCH-100	1500	1400	1420	1320	1000	1500	1400	900	1000
HCT/HATCH-100-4T-15	1500	1400	1420	1320	1000	1500	1400	900	1000
HCT/HATCH-100-4T-20	1500	1400	1420	1320	1000	1500	1400	900	1000

Model	J	K	L	M	N	P	Q	Ød2
HCT/HATCH-40	900	800	700	600	1065	-	965	13
HCT/HATCH-45	900	800	700	600	1065	-	965	13
HCT/HATCH-50	900	800	700	600	1065	-	965	13
HCT/HATCH-56	900	800	700	600	1065	-	965	13
HCT/HATCH-63	1100	1000	900	800	1265	-	1165	13
HCT/HATCH-71	1100	1000	900	800	1265	-	1165	13
HCT/HATCH-80	1100	1000	900	800	1265	-	1165	13
HCT/HATCH-90	1300	1200	1100	1000	1465	-	1365	13
HCT/HATCH-100	1300	1200	1100	1000	1465	-	1365	13
HCT/HATCH-100-4T-15	1300	1200	1100	1000	1465	80	1365	13
HCT/HATCH-100-4T-20	1300	1200	1100	1000	1465	80	1365	13

HCT/HATCH-125



Model	A	B	C	D	ød1	E	F	H	H1	J	K
HCT/HATCH-125	1750	1775	1700	1700	1245	1780	1780	1230	1330	1580	1580

HATCH/HP



Dynamic smoke exhaust ventilators with high thermal efficiency enclosure

Dynamic ventilators with high thermal performance enclosure, completely airtight and hermetic, with thermal break and motorised opening. Equipped with roof extractor for smoke evacuation in case of fire 400 °C/2h and 300 °C/2h.

Enclosure:

- Construction completely free of thermal bridges.
- 60 mm thick refrigerated sandwich panel sides made of two pre-coated steel sheets on the outside and inside with a high-density polyurethane (PUR) core.
- 60 mm thick cover filled with high-density polyurethane (PUR), made of galvanised sheet metal and coated on the outside.
- Adapter socket (or skirting) for correct and easy installation on the roof.
- Air permeability CLASS 4 (UNE-EN 12207).
- Impermeability against driving rain CLASS E 1350 (UNE-EN 12208).
- Resistance to high wind load.
- Thermal resistance of the assembly less than 0.39 W/m²·K.
- Airborne acoustic insulation value according to UNE-EN ISO 10140-2: $R_w = 32 (-2; -4)$ dB.

Opening system:

- Motorised opening arm, with encapsulated IP65 mechanism.
- Supply voltage at 230 V AC 50/60 Hz.
- System reinforced and guaranteed with more than 20,000 cycles.
- Limit switches in both positions (open and closed).
- Snow load SL 1000.
- Automatic opening by external signal from the control system (fire panel, smoke detector ...). Control systems not included in the equipment.

Fan:

- An extremely robust structure that is able to withstand severe weather changes.
- Maintenance switches for actuator and fan disconnection with auxiliary contacts.
- Approved as a whole in accordance with standard EN 12101-3.
- Tubular casing in sheet steel with polyester resin anti-corrosive treatment.
- Adjustable cast aluminum impeller.
- Shielded power cable with EMC protection.
- Roof mounted extract fans with F400 certificate No. 0370-CPR-6986 and F300 certificate No. 0370-CPR-6985.

Motor:

- Class H motors for S1 continuous operation and S2 emergency use. With ball bearings and IP55 protection.
- IE3 efficiency motors.
- Three-phase 230/400 V 50 Hz (up to 3 kW) and 400/690 V 50 Hz (powers greater than 3 kW).
- Maximum temperature of air to be carried: S1 -25 °C +40 °C continuous service, also suitable for warm climates with temperatures up to 50 °C. S2 operation, 300 °C/2h, 400 °C/2h.
- Motors can be regulated by frequency inverter, even in an emergency.

Finish:

- Anti-corrosion cover made of galvanised sheet steel coated in RAL 7015.
- Aluminium profiles RAL 7015.
- Side panels RAL 7015.

On request:

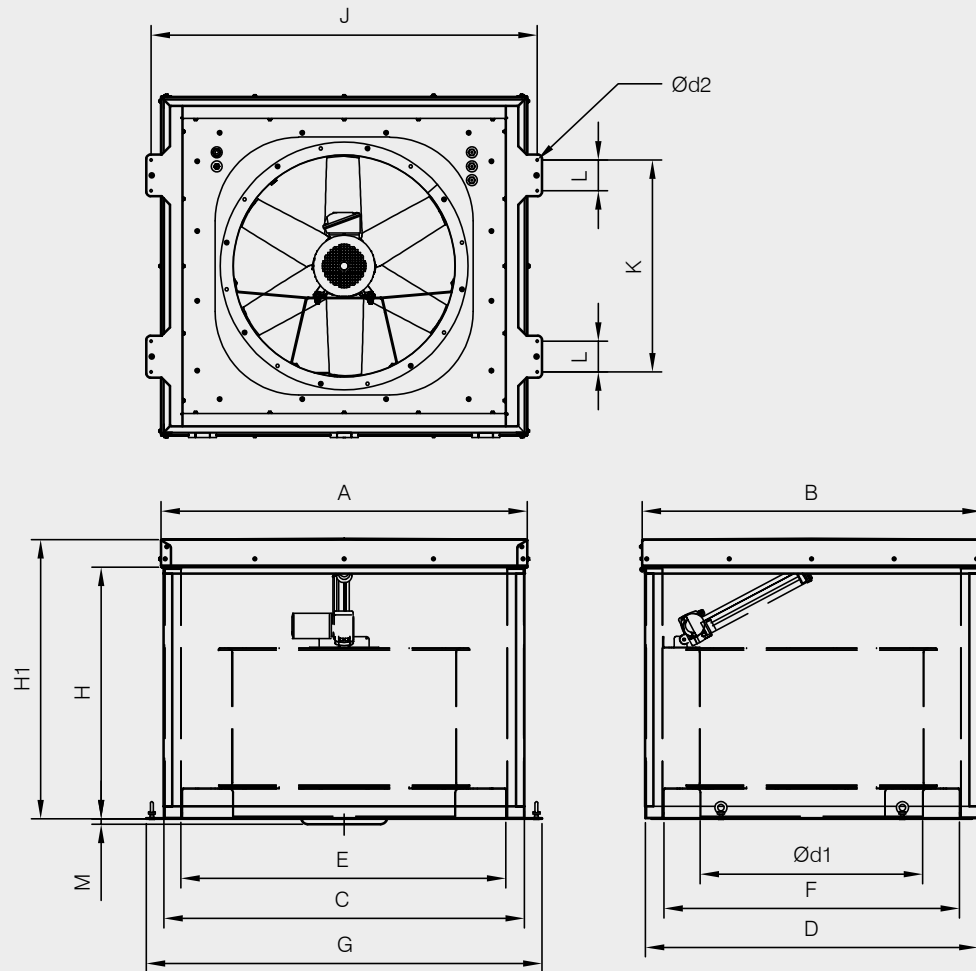
- Motorised opening arm with supply voltage of 24 V DC.
- Exterior coated in any colour from the RAL chart.
- Customised finishes.

Model	Speed (r/min)	Maximum admissible current (A)			Installed power (kW)	Blade tilt angle (°)	Maximum flow rate (m³/h)	Sound pressure level ¹ dB (A)		Approx. weight (Kg)
		230V	400V	690V				Inlet	Exhaust	
HATCH/HP-40-2T-1 IE3	2850	2.76	1.59		0.75	16	6100	62	62	184
HATCH/HP-40-2T-1.5 IE3	2880	3.93	2.26		1.10	20	7040	61	61	188
HATCH/HP-45-2T-2 IE3	2880	4.91	2.84		1.50	16	9400	61	61	193
HATCH/HP-45-2T-3 IE3	2840	7.14	4.13		2.20	22	11325	61	61	194
HATCH/HP-50-2T-4 IE3	2880	9.61	5.52		3.00	16	13860	66	66	206
HATCH/HP-56-2T-5.5 IE3	2870		7.20	4.17	4.00	16	18820	68	68	226
HATCH/HP-56-2T-7.5 IE3	2910		10.10	5.80	5.50	22	22510	68	68	237
HATCH/HP-63-4T-3 IE3	1425	7.86	4.52		2.20	32	22170	58	58	262
HATCH/HP-63-4T-4 IE3	1430	11.01	6.33		3.00	38	24240	59	59	271
HATCH/HP-63-6T-1 IE3	940	3.36	1.93		0.75	38	15890	48	48	252
HATCH/HP-80-4T-3 IE3	1425	7.86	4.52		2.20	12	25460	65	65	280
HATCH/HP-80-4T-4 IE3	1430	11.01	6.33		3.00	16	30270	64	64	289
HATCH/HP-80-4T-5.5 IE3	1440		7.95	4.61	4.00	18	32770	63	63	295
HATCH/HP-80-4T-7.5 IE3	1460		10.40	6.04	5.50	26	39640	63	63	311

Model	Speed (r/min)	Maximum admissible current (A)			Installed power (kW)	Blade tilt angle (°)	Maximum flow rate (m³/h)	Sound pressure level ¹ dB (A)		Approx. weight (Kg)
		230V	400V	690V				Inlet	Exhaust	
HATCH/HP-80-6T-1.5 IE3	945	4.73	2.72		1.10	18	21470	53	53	279
HATCH/HP-80-6T-2 IE3	945	6.25	3.62		1.50	26	25970	54	54	288
HATCH/HP-90-4T-7.5 IE3	1460		10.40	6.04	5.50	18	46140	67	67	392
HATCH/HP-90-4T-10 IE3	1460		14.20	8.17	7.50	22	50140	66	66	403
HATCH/HP-90-4T-15 IE3	1460		20.70	11.99	11.00	30	59390	68	68	456
HATCH/HP-90-6T-3 IE3	950	9.78	5.62		2.20	24	34000	56	56	365
HATCH/HP-90-6T-4 IE3	970	12.80	6.36		3.00	30	38910	59	59	391
HATCH/HP-100-4T-10 IE3	1460		14.20	8.17	7.50	16	57420	69	69	413
HATCH/HP-100-4T-15 IE3	1460		20.70	11.99	11.00	22	66300	69	69	466
HATCH/HP-100-4T-20 IE3	1460		27.80	16.03	15.00	28	76160	70	70	481
HATCH/HP-100-4T/9-25 IE3	1475		35.40	20.39	18.50	26	70620	70	70	535
HATCH/HP-100-4T/9-30 IE3	1475		42.20	24.44	22.00	30	74840	72	72	552
HATCH/HP-100-6T-5.5 IE3	970		8.37	4.82	4.00	26	47780	60	60	413
HATCH/HP-100-6T-7.5 IE3	970		12.30	7.07	5.50	32	53520	62	62	420

¹The noise level values are pressures in dB(A) measured at a distance of 10 metres in a free field.

HATCH/HP



Model	A	B	C	D	Ød1	Ød2	E	F
HATCH/HP-40	1120	1010	1100	990	400	10	960	850
HATCH/HP-45	1120	1010	1100	990	450	10	960	850
HATCH/HP-50	1120	1010	1100	990	500	10	960	850
HATCH/HP-56	1120	1010	1100	990	560	10	960	850
HATCH/HP-63	1315	1215	1295	1195	630	10	1155	1055
HATCH/HP-80	1315	1215	1295	1195	800	10	1155	1055
HATCH/HP-90	1520	1420	1500	1400	900	10	1360	1260
HATCH/HP-90-4T-15	1520	1420	1500	1400	900	10	1360	1260
HATCH/HP-100	1520	1420	1500	1400	1000	10	1360	1260
HATCH/HP-100-4T-15	1520	1420	1500	1400	1000	10	1360	1260
HATCH/HP-100-4T-20	1520	1420	1500	1400	1000	10	1360	1260
HATCH/HP-100-4T/9-25	1520	1420	1500	1400	1000	10	1360	1260
HATCH/HP-100-4T/9-30	1520	1420	1500	1400	1000	10	1360	1260

Model	G	H	H1	J	K	L	M
HATCH/HP-40	1225	900	1000	1180	560	110	-
HATCH/HP-45	1225	900	1000	1180	560	110	-
HATCH/HP-50	1225	900	1000	1180	560	110	-
HATCH/HP-56	1225	900	1000	1180	560	110	-
HATCH/HP-63	1420	900	1000	1385	760	110	-
HATCH/HP-80	1420	900	1000	1385	760	110	-
HATCH/HP-90	1625	900	1000	1560	760	110	-
HATCH/HP-90-4T-15	1625	900	1000	1560	760	110	40
HATCH/HP-100	1625	900	1000	1560	760	110	-
HATCH/HP-100-4T-15	1625	900	1000	1560	760	110	80
HATCH/HP-100-4T-20	1625	900	1000	1560	760	110	80
HATCH/HP-100-4T/9-25	1625	900	1000	1560	760	110	125
HATCH/HP-100-4T/9-30	1625	900	1000	1560	760	110	125

WALL/FLAP



Aluminum gate with motorised opening

Suitable for installation in industrial buildings or commercial facilities. It can be used for room ventilation.

Characteristics:

- Very robust aluminum structure able to withstand extreme weather conditions.
- Designed to ensure watertightness.
- Aluminum profile with thermal bridge break.
- Central ceiling and structure equipped with high performance thermal insulation.
- Thermal resistance of the assembly less than 0.89 W/m²·K.
- Limit switches in both positions (open and closed).

- Possibility of mounting in upper and lower opening. Size 125 only top opening.
- Manual opening system (Utility model ES 1 259 375 U).

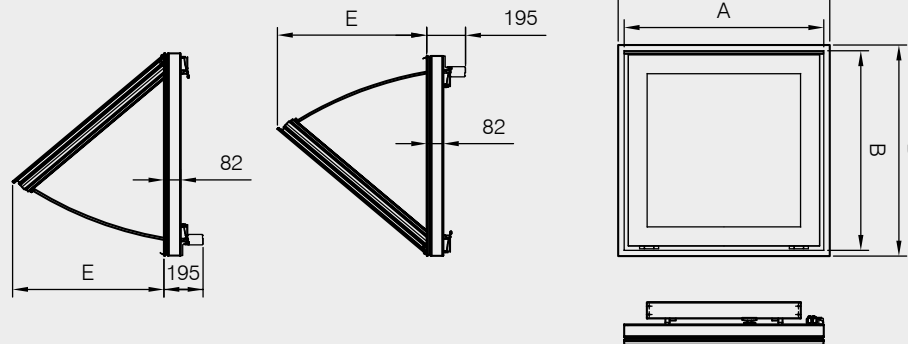
Finish:

- Anti-corrosive in extruded aluminum.
- RAL 7016 supplied as standard. Any other RAL can be supplied on demand.

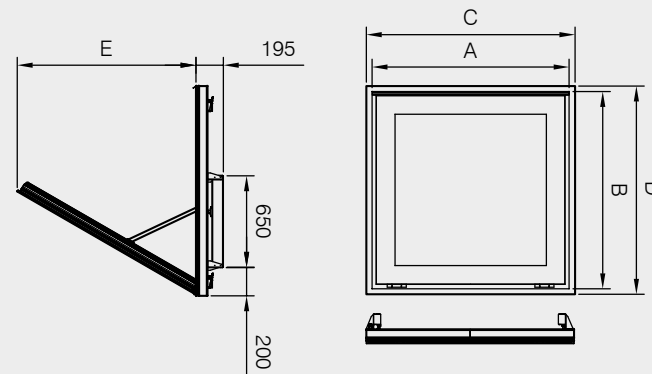
Actuator:

- Reliability greater than 11,000 dual cycles.
- Supply voltage at 230 V AC 50/60 Hz.
- Working temperature: -25 °C +60 °C.

WALL/FLAP-40...100



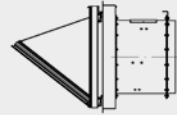
WALL/FLAP-125



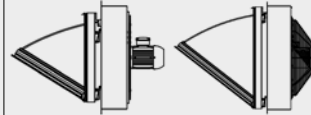
Model	A	B	C	D	E	Approx. weight (Kg)	Applicable to
WALL/FLAP-40-45	640	590	650	600	430	12	Diameters 40 and 45
WALL/FLAP-50-56	690	690	700	700	560	14	Diameters 50 and 56
WALL/FLAP-63-71-80	990	990	1000	1000	760	22	Diameters 63, 71 and 80
WALL/FLAP-90-100	1190	1190	1200	1200	790	27	Diameters 90 and 100
WALL/FLAP-125	1490	1490	1500	1500	1240	42	Diameters 125

(C x D) Nominal size of the wall opening.

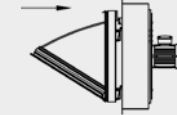
VERSIONS AVAILABLE



For connection to an extract duct.



For use without an extract duct.



AA version impeller to motor air direction.



F-300 and F-400 certification.

 THT/WALL	✓	-	-	✓
 THT/WALL-F	-	✓	-	✓
 WALL/DUCT	✓	-	✓	-
 WALL/AXIAL	-	✓	✓	-
 WALL/FREE	-	✓	✓	-
 THT/HATCH	✓	✓	-	✓
 HCT/HATCH	✓	✓	✓	-
 HATCH/HP	✓	✓	-	✓



HEADQUARTER

Sodeca, S.L.U.
Pol. Ind. La Barricona
Carrer del Metall, 2
E-17500 Ripoll
Girona, SPAIN
Tel. +34 93 852 91 11
Fax: +34 93 852 90 42
General sales: comercial@sodeca.com
Export sales: ventilation@sodeca.com

www.sodeca.com

PRODUCTION PLANT

Sodeca, S.L.U.
Ctra. de Berga, km 0,7
E-08580 Sant Quirze de Besora
Barcelona, SPAIN
Tel. +34 93 852 91 11
Fax: +34 93 852 90 42
General sales: comercial@sodeca.com
Export sales: ventilation@sodeca.com

